



NDG1 Series Disconnecter

2019 Edition

Nader

1. Product Overview

				
Model	NDG1-100 (1P)	NDG1-100 (2P)	NDG1-100 (3P)	NDG1-100 (4P)
Applicable Types	AC-22A	AC-22A	AC-22A	AC-22A
Rated Working Voltage (V)	AC 230/240V	AC 400/415V	AC 400/415V	AC 400/415V
Rated Working Current (A)	32, 63, 100	32, 63, 100	32, 63, 100	32, 63, 100
Certificate	3C, CE, TUV	3C, CE, TUV	3C, CE, TUV	3C, CE, TUV

2. Product Features

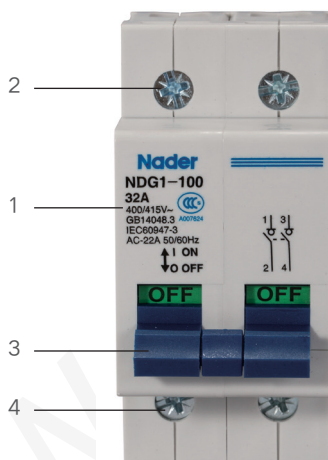
● Application Scope

NDG1 Series disconnecter can be applicable for usage in the circuits with AC50HZ/60HZ, Rated Voltage up to 415V and Rated Current up to 100A. And they are often used in the building's circuits and industrial distribution systems to do the circuits' disconnecting function. Infrequently break-make operation is also applicable.

● Design Features

- ◆ Contact Structure: Reliable connecting, Improve the short-time withstand current
- ◆ Modularized Assemble Structure: Flexible Selection for Poles.
- ◆ Twin Contacts Improve Product's Short-time Current-withstand

● 结构特点



- 1、Product Parameters
- 2、Line
- 3、Operation Handle
- 4、Load

● Standard

- ◆ GB 14048.3 Low-voltage switchgear and control-gear-Part 3: Switches, disconnectors, switch, disconnectors and fuse-combination units
- ◆ IEC 60947-3 Low-voltage switchgear and control-gear-Part 3: Switches, disconnectors, switch, disconnectors and fuse-combination units

3. Working Condition

● Electrical Symbol



● Applicable Condition

- ◆ Ambient Usage Temperature and Storage Temperature

Ambient Usage Temperature: -35°C-+70°C, the average temperature can't exceed +35°C within 24h.

- ◆ Altitude

The altitude of the mounting site \leq 2000m

- ◆ Relative Usage Humidity and Relative Storage Humidity

- ◆ The relative humidity shouldn't exceed 50% when the ambient air temperature is +60 degrees, higher humidity can be allowed in lower temperature. For example, the humidity can be 80% when the ambient temperature is +20 degrees. Necessary measures should be acted for the condensation produced by the changed temperature.

● Pollution Degree

2

● Protection Level

Level of Product Protection: IP20

● Applicable Types

AC-22A

● Mounting Types

II (For Load Level) and III (For distribution and control Level)

● Mounting Method

Mounted on TH35mm x 7.5 Standard Rail.

● Mounting Direction

Vertical Mounting

● Environmental Requirement

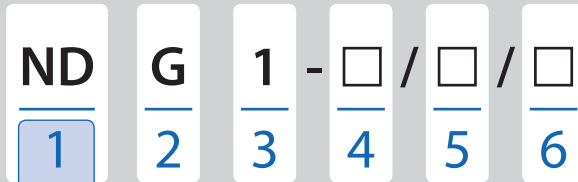
Comply With RoHS

● Terminal Connecting Area

2-35mm² cable is applicable

4. Product Technical Characteristic

4.1 Model and Implication




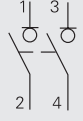

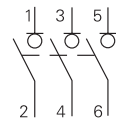

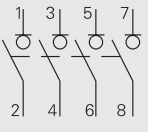


No.	Implication	Instruction
1	Brand Code	ND: Nader
2	Model	G: Disconnecter
3	Design Code	1
4	Frame Rating	100
5	Rated Current	32A, 63A, 100A
6	Number of Poles	1: 1P、 2: 2P、 3: 3P、 4: 4P

4.2 Technical Parameters

- ◆ Rated Working Voltage: AC230V/240V(1P); AC400V/415V(2P, 3P, 4P);
- ◆ Rated Insulated Voltage (Ui): 1000V;
- ◆ Connecting and Breaking Capacity: 3InA (415V, cosΦ = 0.65) ;
- ◆ Rated Short-Circuit Connecting Capacity: 20InA (415V, cosΦ = 0.9) ;
- ◆ Rated Short-time Withstand Current: 20InA (415V, Conduction Time 1s)。

4.3 Specification

Number of Poles	Width (mm)	Rated Current (A)	Model
 <p>1P</p> 	18	32	NDG1-100 32/1
	18	63	NDG1-100 63/1
	18	100	NDG1-100 100/1
 <p>2P</p> 	36	32	NDG1-100 32/2
	36	63	NDG1-100 63/2
	36	100	NDG1-100 100/2
 <p>3P</p> 	54	32	NDG1-100 32/3
	54	63	NDG1-100 63/3
	54	100	NDG1-100 100/3
 <p>4P</p> 	72	32	NDG1-100 32/4
	72	63	NDG1-100 63/4
	72	100	NDG1-100 100/4

5. Accessory

5.1 Accessory Sheet



OF3 Auxiliary Contact

NDG1-100 Accessory Types

No.	Name	Model	Mounting Method
①	Auxiliary Contact	OF3	Multi-Lateral (1pcs at most)

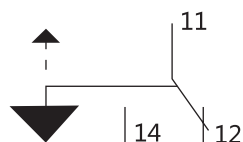


5.2 Accessory Functional Instruction

Parts	Function
Auxiliary Contact	Connect and monitor the product's switch-closing status synchronously and expand the auxiliary contact's quantity.

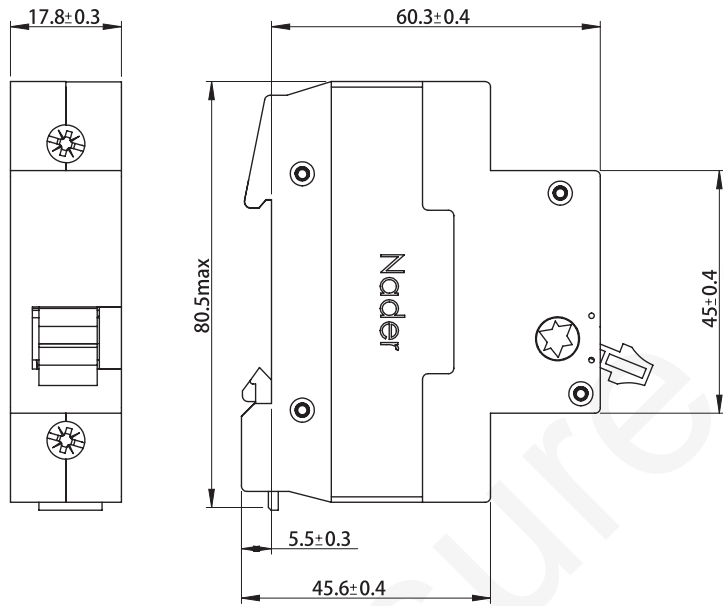
5.3 Accessory Technical Parameters

- ◆ AC 250V 6A;
- ◆ AC 415V 3A;
- ◆ Width (mm) : 18;
- ◆ When it is Closing: 11, 14 means Connecting ;
- ◆ When it is Opening: 11, 12 means Connecting ;
- ◆ Wiring Capacity: ≤10mm² cables ;
- ◆ OF3 Wiring Diagram :

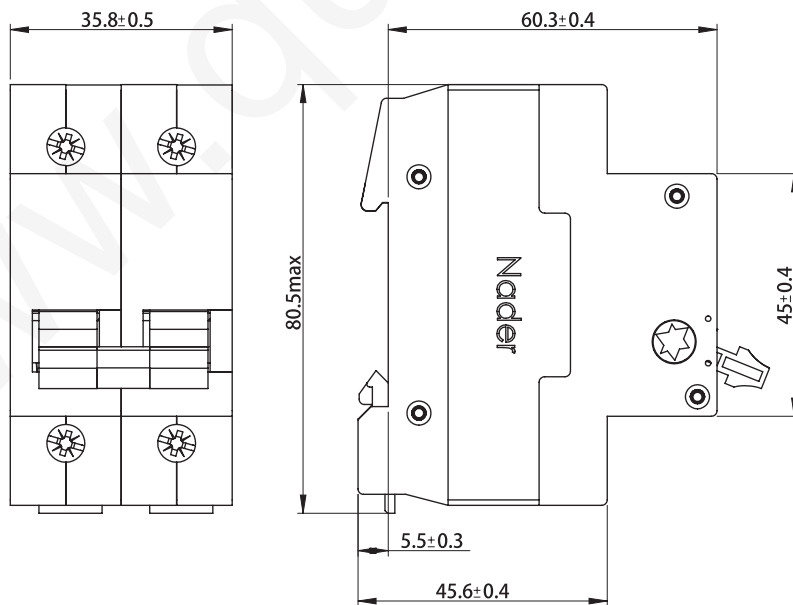


6. Outline and Mounting Dimension

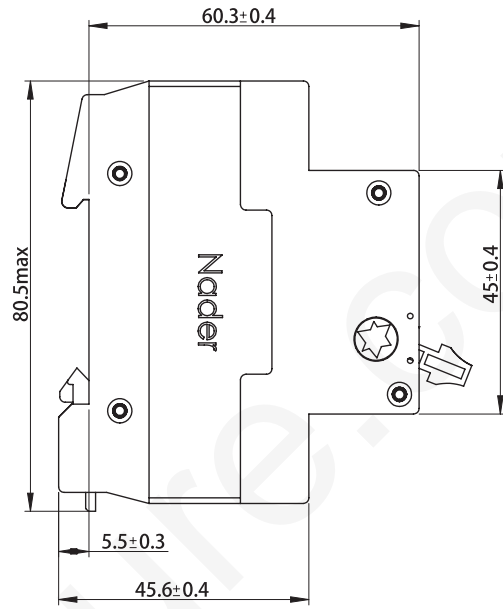
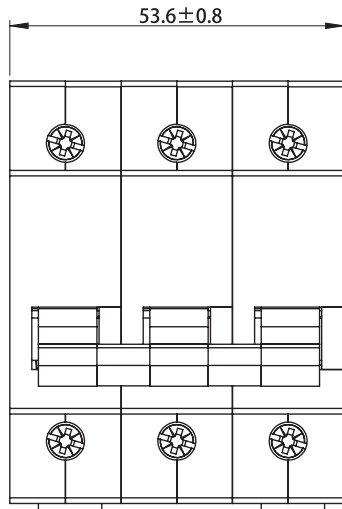
● NDG1-100 External Dimension



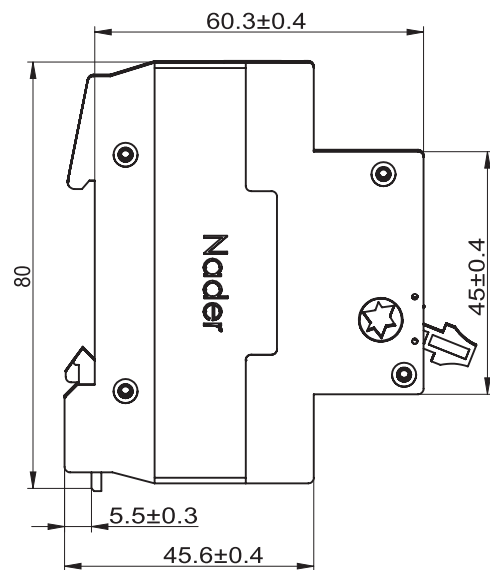
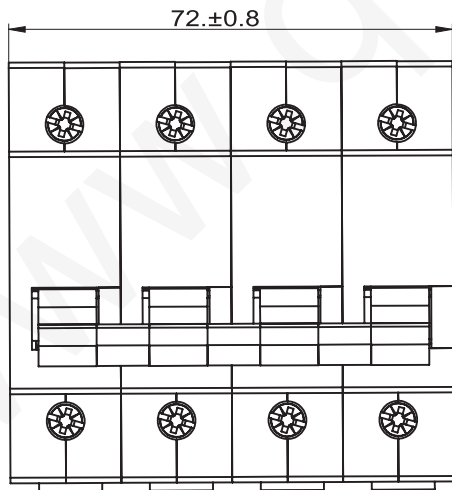
1P



2P

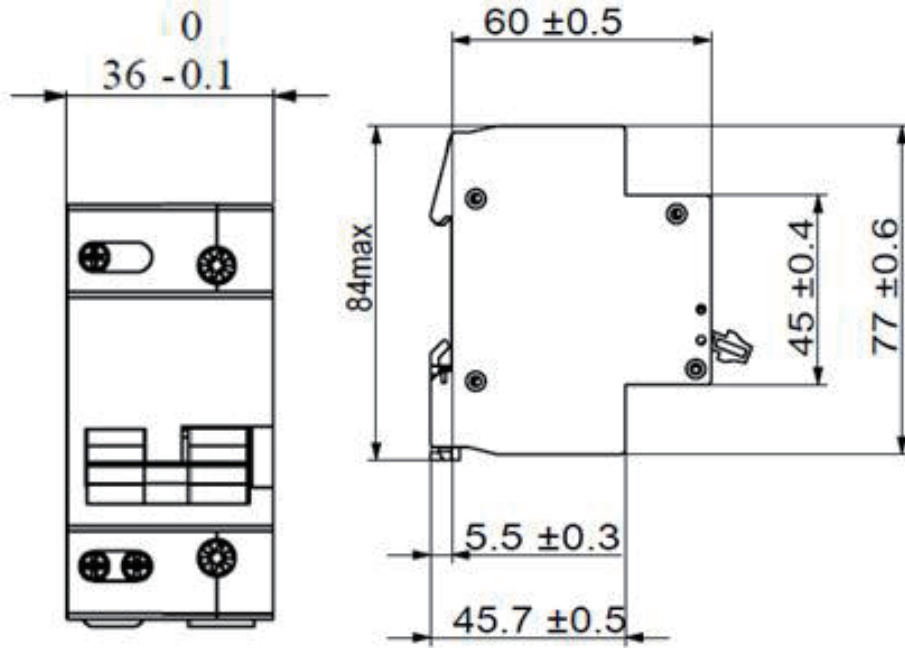


1P

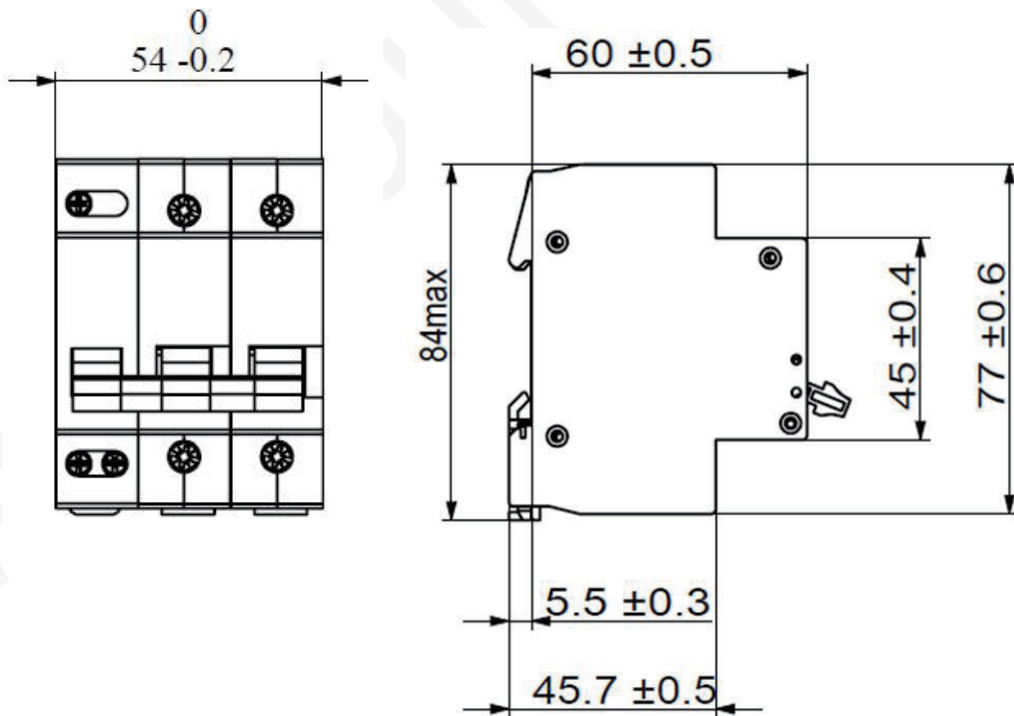


2P

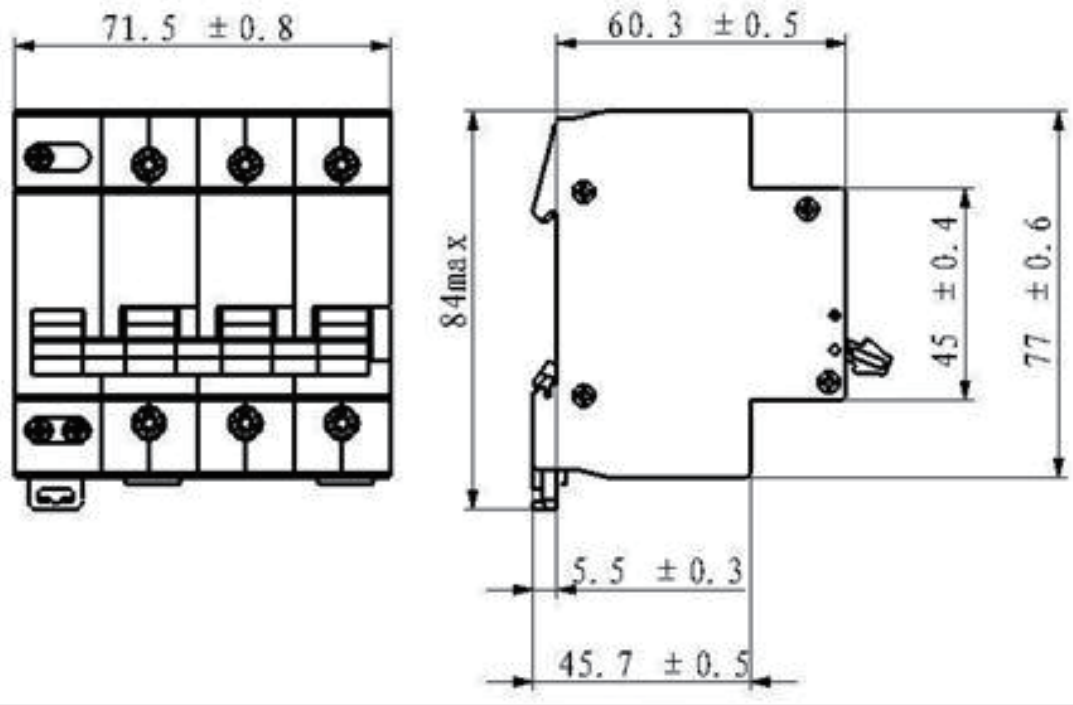
● NDG1-100 External Dimension of Assemble OF3



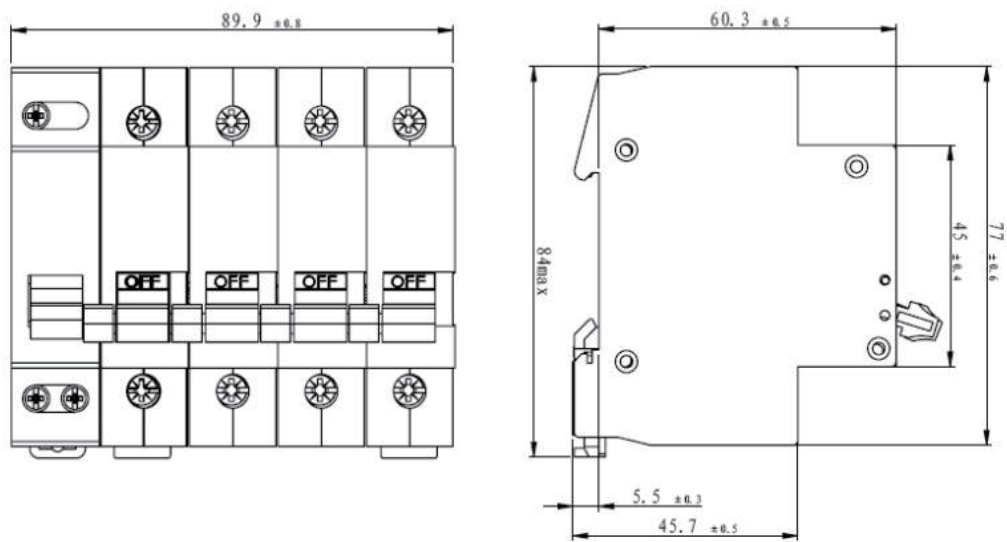
1P



2P

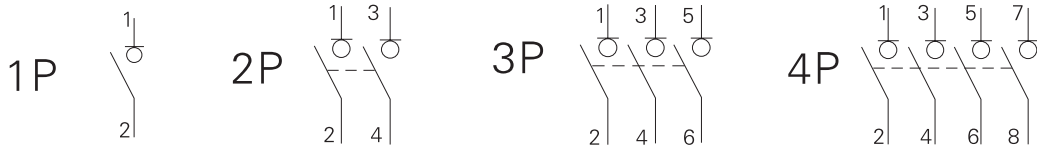


1P



2P

7. Wiring Diagram



8. Ordering Types and Specifications (Tick ✓ in)

Customer	Ordering Quantity:	Ordering Date:
Frame Rating	<input type="checkbox"/> NDG1-100 100/1 <input type="checkbox"/> NDG1-100 100/4+OF3	
Number of Poles	<input type="checkbox"/> 1P <input type="checkbox"/> 2P <input type="checkbox"/> 3P <input type="checkbox"/> 4P	



NDG1-100+NCJ1 Series Disconnecter+Conversion Operation Accessory

2019 Edition

1. Product Overview

		
Model	NDG1-100 100/3+NCJ1-3G1Z	NDG1-100 100/4+NCJ1-4G1Z
Applicable Types	AC-22A	AC-22A
Rated Working Voltage (V)	AC400V/415V	AC400V/415V
Rated Working Current (A)	32A/63A/100A	32A/63A/100A
Actuator	NDG1-100 100/3P	NDG1-100 100/4P

2. Product Features

● Application Scope

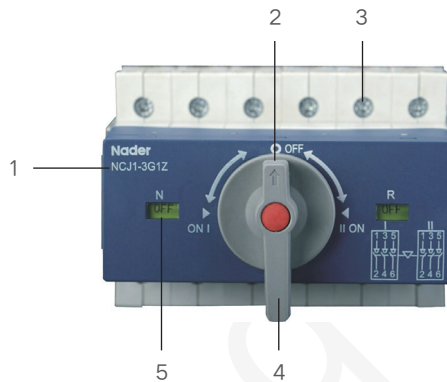
NDG1-100 can be applicable for usage in the circuits with AC50HZ/60HZ, Rated Voltage up to 415V and Rated Current up to 100A. And them are often used in the building's circuits and industrial distribution systems to do the circuits' disconnecting function. Infrequently break-make operation is also applicable. 2 sets of NDG1-100 with 3 poles + a set of NCJ1-3G1Z or 2 sets of NDG1-100 with 4 poles+a set of NCJ1-4G1Z can make up a manual change-over switch. This change-over switch can do the load transformation between 2 power in the low-voltage circuits and also can promise the safety disconnecting in the circuits.

● Design Features

- ◆ Contact Structure: Reliable connecting,Improve the short-time withstand current
- ◆ Twin Contacts Improve Product's Short-time Current-withstand

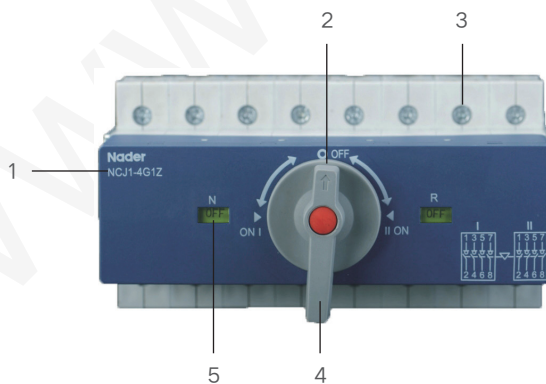
● Structure Features

- ◆ NDG1-100 100/3+NCJ1



- 1、Model
- 2、Opening Indicator
- 3、Connecting Terminal
- 4、Operation Handle
- 5、Closing Indicator

- ◆ NDG1-100 100/4+NCJ1



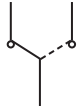
- 1、Model
- 2、Opening Indicator
- 3、Connecting Terminal
- 4、Operation Handle
- 5、Closing Indicator

● Standard

- ◆ GB 14048.3 Low-voltage switchgear and control-gear-, Part 3: Switches, disconnectors, switch, disconnectors and fuse-combination units
- ◆ IEC 60947-3 Low-voltage switchgear and controlgear-Part 3: Switches, disconnectors, switch, disconnectors and fuse-combination units

3. Working Condition

● Electrical Symbol



Two-Position PC Level TSE

● Applicable Condition

- ◆ Ambient Usage Temperature

Ambient Usage Temperature: -35°C – $+70^{\circ}\text{C}$, the average temperature can't exceed $+35^{\circ}\text{C}$ within 24h.

- ◆ Altitude

The altitude of the mounting site $\leq 2000\text{m}$

- ◆ Relative Usage Humidity and Relative Storage Humidity

The relative humidity shouldn't exceed 50% when the ambient air temperature is $+60$ degrees, higher humidity can be allowed in lower temperature. For example, the humidity can be 80% when the ambient temperature is 20 degrees. Necessary measures should be acted for the condensation produced by the changed temperature.

● Pollution Degree

2

● Protection Level

Level of Product Protection: IP20

● Applicable Types

AC-22A

● Mounting Method

Mounted on TH35mm x 7.5 Standard Rail.

● Mounting Types

II (For Load Level) and III (For distribution and control Level)

● Mounting Direction

Vertical Mounting

● Environmental Requirement

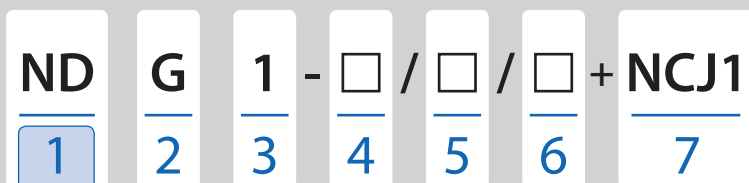
Comply with RoHS

● Connection

- ◆ Connecting Screw is M7, Torque is 3.5N.m
- ◆ Terminal Connecting Area: 2~35 mm² cable is applicable
- ◆ Torque of Conversion Operation is 1N.m

4. Product Technical Characteristic

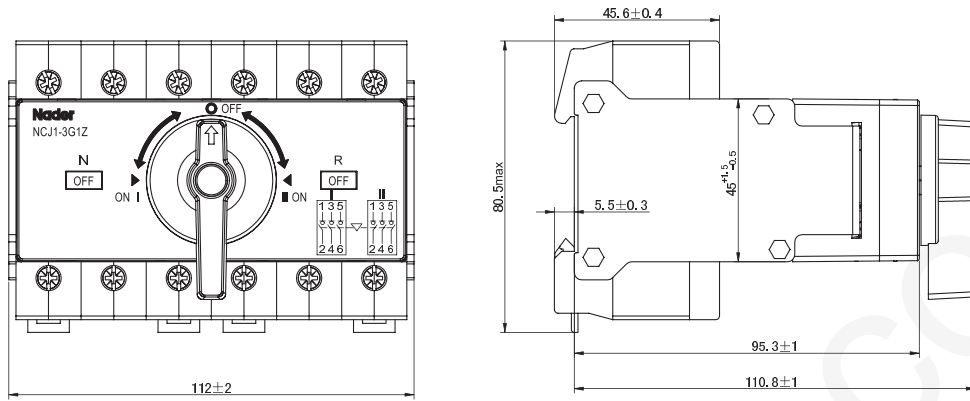
4.1 Model and Implication



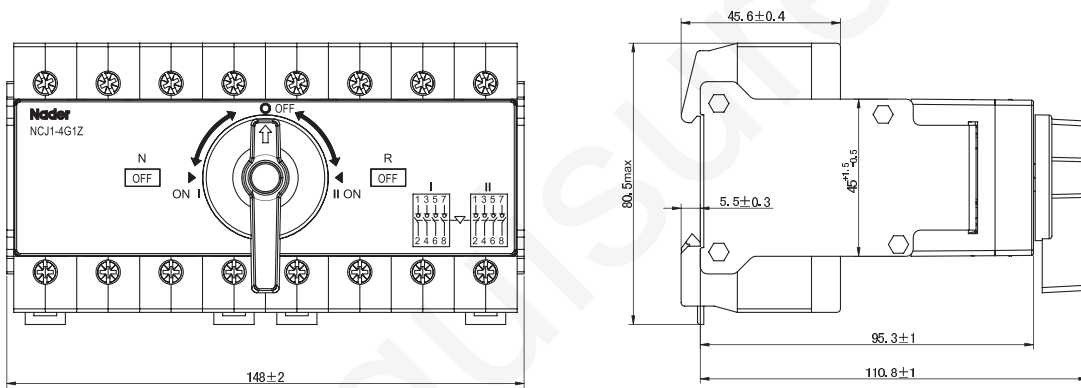
No.	Implication	NDG1
1	Brand Code	ND: Nader
2	Model	G : Disconnector
3	Design Code	1
4	Frame Rating	100
5	Rated Current	32A, 63A, 100A
6	Number of Poles	3: 3P、 4: 4P
7	NCJ1	Conversion Operation Accessory

www.qun...

5. Outline and Mounting Dimension

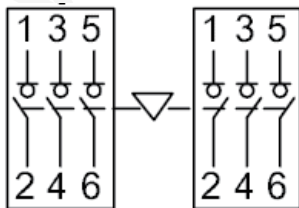


NDG1-100 100/3+NCJ1

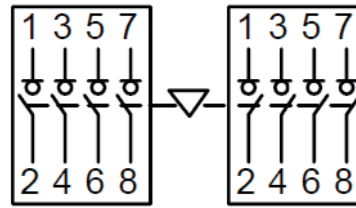


NDG1-100 100/4+NCJ1

6. Wiring Diagram



NDG1-100 3P+NCJ1



NDG1-100 4P+NCJ1