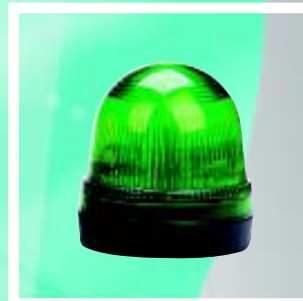
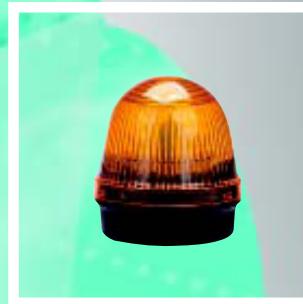




2014-2015

# SIGNAL TOWER

JD36,JD50,JD70,  
JD90,JD150



TAYEE

# SIGNAL LAMP



## APPEARANCE

The Europe traditional design style is steady and in good taste, showing originality, endowing your equipment with innervation and vitality, upgrading the appearance and function, making your products coruscate

## MATERIAL

The JD-series signal lamps are covered with high-quality materials which has vivid color and good transmissivity and no fading after long time use.

## DEGREE OF PROTECTION - IP65

In order to make the products widely used in every walk of life, TAYEE follows its consistent high standard during the process of design and manufacture, which makes every product's degree of protection meet IP65 and satisfy your needs.

## INDIVIDUATION OPTION

More and more innovation is required in this competitive age. The JD-series signal lamps supply different kinds of appearance for you, such as JD50A, JD50CA, JD70CA, JD70A, JD90B, JD150A, JD150B which can give you individuation production.

## VARIETY

The JD-series signal lamps can be divided into 50mm-JD50, 70mm-JD70, 90mm-JD90, 150mm-JD150 according to diameter and be divided into single light style and optical-audible style according to function.

# Ø50 SIGNAL LAMP



## PERFORMANCE CHARACTERISTIC

There are 4 types of optical source and 2 styles offered for users.

### Optical source type

#### LED

4 types of luminescence modes  
permanent  
blink  
rotating flash  
adjustable  
(between permanent and blink)



#### SUPERBRIGHT LED

4 types of luminescence modes  
permanent  
blink  
rotating flash  
adjustable  
(between permanent and blink)



#### FILAMENT LAMP

2 types of luminescence modes  
permanent  
blink



#### XENON LAMP

only 1 luminescence mode  
blink(flash)  
flash frequency  
0.5Hz-2Hz



## TECHNICAL PARAMETER

### Guideline of Current

Type	24V	220V
Filament Lamp maximum current	3W	3W
LED maximum current	0.1A/2.4W	0.05A/0.8W
Buzzer maximum current	0.015A/0.36W	0.015A/0.45W
Xenon lamp maximum current	0.2A/4.8W	0.03A/6.6W
Xenon Lamp maximum current	/	/

### Working Environment

Environmental Temperature	-25℃ ~ +55℃
Degree of Pollution	Class 3
Antivibration	10-2000Hz, 1mm, 15g
Degree of Protection	IP 65
Installation Type	III
Altitude	≤ 2000m
Relative Mositure of Air	≤ 98%

## ORDER TYPE

### single-light signal lamp

JD 50A	—	Optical source	+ Luminescence modes	+ Color	+ Voltage
↓		↓	↓	↓	↓
Diameter		LED	Permanent	Red	DC
70mm		Super Bright LED	Blink	Green	24V
single-light		Filament Lamp	Rotating flash	Yellow	AC
		Xenon lamp	Adjustable	White	220V
				Blue	

### single-light signal lamp

JD 50CA	—	Optical source	+ Luminescence modes	+ Color	+ Voltage
↓		↓	↓	↓	↓
Diameter		LED	Permanent	Red	DC
70mm		Super Bright LED	Blink	Green	24V
		Filament Lamp	Rotating flash	Yellow	AC
		Xenon lamp	Adjustable	White	220V
				Blue	



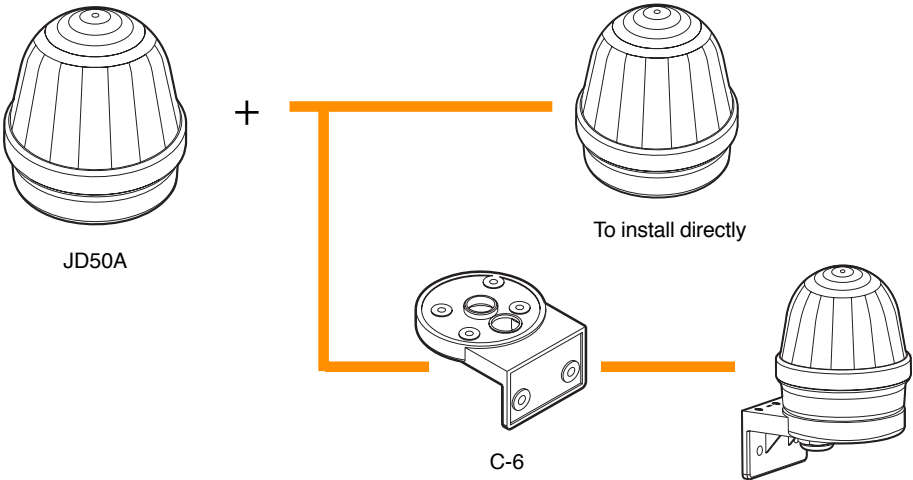
## Production type

JD50A- order type1+ order type2+ order type3+ order type4

	Optical source		Luminescence modes		Color		Voltage	
	Optical source	Order type1	Modes	Order type2	Color	Order type3	Voltage	Order type4
	LED	L	Permanent Blink Rotating flash Adjustable	01 02 03 04	Red Green Yellow White Blue	R G Y W S	DC 24V  AC 220V	024  122
	Super Bright LED	H	Permanent Blink Rotating flash Adjustable	01 02 03 04	Red Green Yellow White Blue	R G Y W S		
	Xenon lamp	S	Blink	02	Red Green Yellow White Blue	R G Y W S		
	Filament Lamp	X	Permanent Blink	01 02	Red Green Yellow White Blue	R G Y W S		

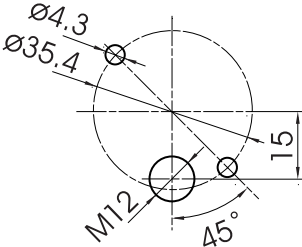
Note:DC is applicable to AC (which means DC and AC are both applicable). Special voltage can be ordered.

## SKETCH MAP FOR MAKING UP PRODUCT AND ITS ACCESSORIES

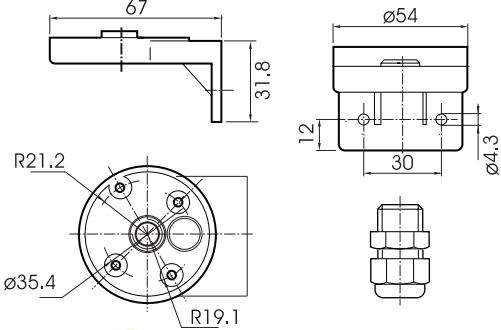


## INSTALLATION MODE AND INSTALLATION ACCESSORY

To install directly (in-line)



To Sidemount Base (out-line) C-6



Note:Accessory should be ordered separately.

## DEMONSTRATION OF PRODUCT

### LED Signal Lamp



→ RED LED BLINK DC24V  
**JD50A-L02R024**

→ To Install Directly

### Xenon Signal Lamp

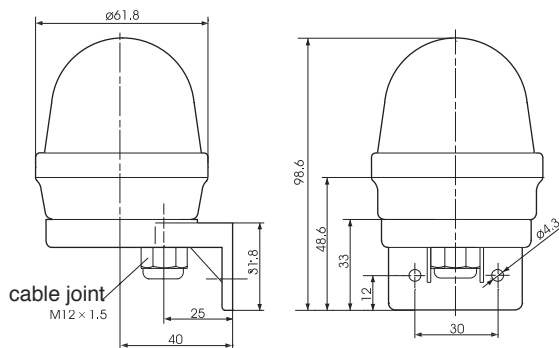


→ Green Xenon Blink DC24V  
**JD50A-S02G024**

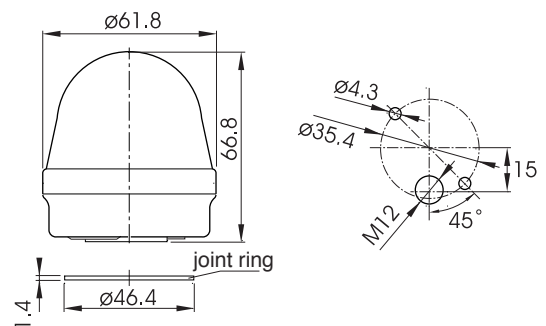
→ To Sidemount Base  
**C-6**

## DIMENSIONAL DRAWING

### JD50A Signal Lamp (matching C-6)



### JD50A Signal Lamp





# STAYE

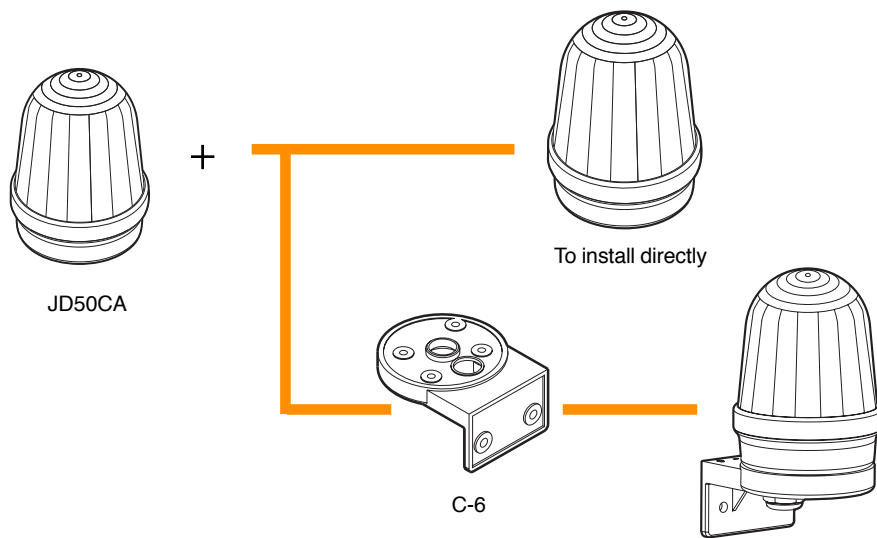
## Production type

JD50CA- order type1+ order type2+ order type3+ order type4

	Optical source		Luminescence modes		Color		Voltage			
	Optical source	Order type1	Modes	Order type2	Color	Order type3	Voltage	Order type4		
	LED	L	Permanent Blink Rotating flash Adjustable	01 02 03 04	Red Green Yellow White Blue	R G Y W S	DC 24V	024		
	Super Bright LED	H	Permanent Blink Rotating flash Adjustable	01 02 03 04	Red Green Yellow White Blue	R G Y W S				
	Xenon lamp	S	Blink	02	Red Green Yellow White Blue	R G Y W S			AC 220V	122
	Filament Lamp	X	Permanent Blink	01 02	Red Green Yellow White Blue	R G Y W S				

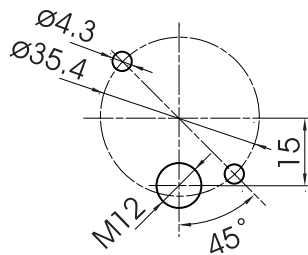
Note:DC is applicable to AC (which means DC and AC are both applicable). Special voltage can be ordered.

## SKETCH MAP FOR MAKEING UP PRODUCT AND ITS ACCESSORIES

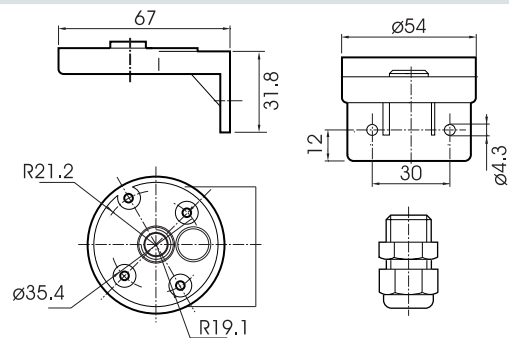


## INSTALLATION MODE AND INSTALLATION ACCESSORY

To install directly (in-line)



To Sidemount Base (out-line) C-6



Note:Accessory should be ordered separately.

# TAYE

## DEMONSTRATION OF PRODUCT

### LED Signal Lamp



→ Green LED Blink DC24V  
**JD50CA-L02G024**

→ To Install Directly

### Xenon Signal Lamp

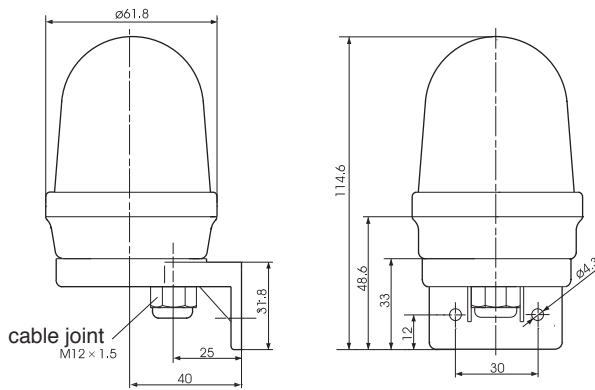


→ Blue Xenon Lamp Blink DC24V  
**JD50CA-S02S122**

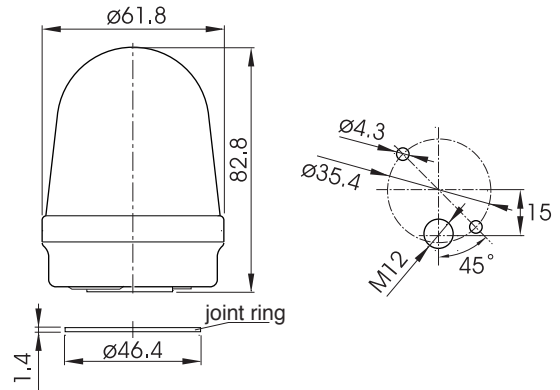
→ Sidemounted Base  
**C-6**

## DIMENSIONAL DRAWING

### JD50CA Signal Lamp (matching C-6)



### JD50CA Signal Lamp



# INSTALLATION MODE

