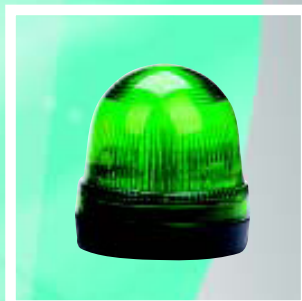
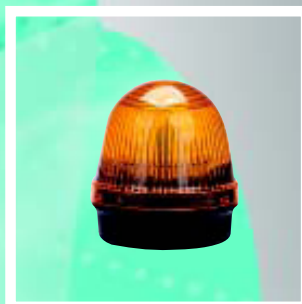




2014-2015

# SIGNAL TOWER

JD36,JD50,JD70,  
JD90,JD150



# SIGNAL LAMP



## APPEARANCE

The Europe traditional design style is steady and in good taste, showing originality, endowing your equipment with innervation and vitality, upgrading the appearance and function, making your products coruscate

## MATERIAL

The JD-series signal lamps are covered with high-quality materials which has vivid color and good transmissivity and no fading after long time use.

## DEGREE OF PROTECTION - IP65

In order to make the products widely used in every walk of life, TAYEE follows its consistent high standard during the process of design and manufacture, which makes every product's degree of protection meet IP65 and satisfy your needs.

## INDIVIDUATION OPTION

More and more innovation is required in this competitive age. The JD-series signal lamps supply different kinds of appearance for you, such as JD50A, JD50CA, JD70CA, JD70A, JD90B, JD150A, JD150B which can give you individuation production.

## VARIETY

The JD-series signal lamps can be divided into 50mm-JD50, 70mm-JD70, 90mm-JD90, 150mm-JD150 according to diameter and be divided into single light style and optical-audible style according to function.

# Ø50 SIGNAL TOWER

## PERFORMANCE CHARACTERISTIC

### Optical source type

#### LED

4 types of luminescence modes  
permanent  
blink  
rotating flash  
adjustable  
(between permanent and blink)



#### SUPERBRIGHT LED

4 types of luminescence modes  
permanent  
blink  
rotating flash  
adjustable  
(between permanent and blink)



#### FILAMENT LAMP

2 types of luminescence modes  
permanent  
blink



#### XENON LAMP

Only 1 mode  
blink(flash)  
flash frequency  
0.5Hz-2Hz



### AUDIBLE SOURCE TYPE

#### Buzzer

2 sounding modes  
Continuous  
Intermittent



## TECHNICAL PARAMETER

### Guideline of Current

Type	24V	220V
Filament Lamp maximum current	3W	3W
LED maximum current	0.1A/2.4W	0.05A/0.8W
Buzzer maximum current	0.015A/0.36W	0.015A/0.45W
Xenon lamp maximum current	0.2A/4.8W	0.03A/6.6W

### Working Environment

Environmental Temperature	-25℃ ~ +55℃
Degree of Pollution	Class 3
Antivibration	10-2000Hz, 1mm, 15g
Degree of Protection	IP 65
Installation Type	III
Altitude	≤ 2000m
Relative Mositure of Air	≤ 98%



## ORDER TYPE

### Light element

JD 501	—	Optical source	+ Luminescence modes	+ Color	+ Voltage
↓		↓	↓	↓	↓
Ø50 diameter		LED	Permanent	Red	DC
Light element		Super Bright LED	Blink	Green	24V
Light element		Filament Lamp	Rotating flash	Yellow	AC
		Xenon lamp	Adjustable	White	220V
				Blue	





### Diameter Voice element

JD 502	—	Sonic source	+ Sounding modes	+ Decibel	+ Voltage
↓		↓	↓	↓	↓
Ø50 diameter		Buzzer	Continue	80dB	DC
Voice element			Interrupt	100dB	24V
					AC
					220V



## Production type


JD501- order type1+ order type2+ order type3+ order type4

	Optical source		Luminescence modes		Color		Voltage	
	Optical source	Order type1	Modes	Order type2	Color	Order type3	Voltage	Order type4
	LED	L	Permanent Blink Rotating flash Adjustable	01 02 03 04	Red Green Yellow White Blue	R G Y W S	DC 24V  AC 220V	024   122
	Super Bright LED	H	Permanent Blink Rotating flash Adjustable	01 02 03 04	Red Green Yellow White Blue	R G Y W S		
	Xenon Lamp	S	Blink	02	Red Green Yellow White Blue	R G Y W S		
	Filament lamp	X	Permanent Blink	01 02	Red Green Yellow White Blue	R G Y W S		



Note:DC is applicable to AC (which means DC and AC are both applicable). Special voltage can be ordered.

## Production type

JD502- order type1+ order type2+ order type3+ order type4+ order type5

	Sonic source		Sounding modes		Decibel		Color		Voltage	
	Sound	Order type1	Modes	Order type2	Decibel	Order type3	Color	Order type4	Voltage	Order type5
	Buzzer	F	Continue Interrupt	01	80dB	08	Black	B	DC 24V	024
				02	100dB	10			AC 220V	122

Note:DC is applicable to AC (which means DC and AC are both applicable)

	Name	Type
	Decorate cap	A02
	Connection foundation	B03

## DEMONSTRATION OF PRODUCT

### 1 Layer



- Cap  
**A02**
- Optical Element  
(Yellow DC24V LED Blink)  
**JD501-L02Y024**
- Connection Base  
**B03**
- Directly Installed Base  
**S-1**

### 2 Layers



- Cap  
**A02**
- Optical Element  
(GreenDC24V LED Blink)  
**JD501-L02G024**
- Optical Element  
(Yellow DC24V LED Blink)  
**JD501-L02Y024**
- Connection Base  
**B03**
- Directly Installed Base  
**S-6**

### 3 Layers



- Cap  
**A02**
- Optical Element  
Green AC220V Superbright LED Permanent  
**JD501-H01G122**
- Optical Element  
Yellow AC220V Superbright LED Permanent  
**JD501-H01Y122**
- Optical Element  
Blue AC220V Superbright LED Permanent  
**JD501-H01S122**
- Connection Base  
**B03**
- Directly Installed Base  
**S-1**

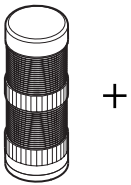
### 4 Layers



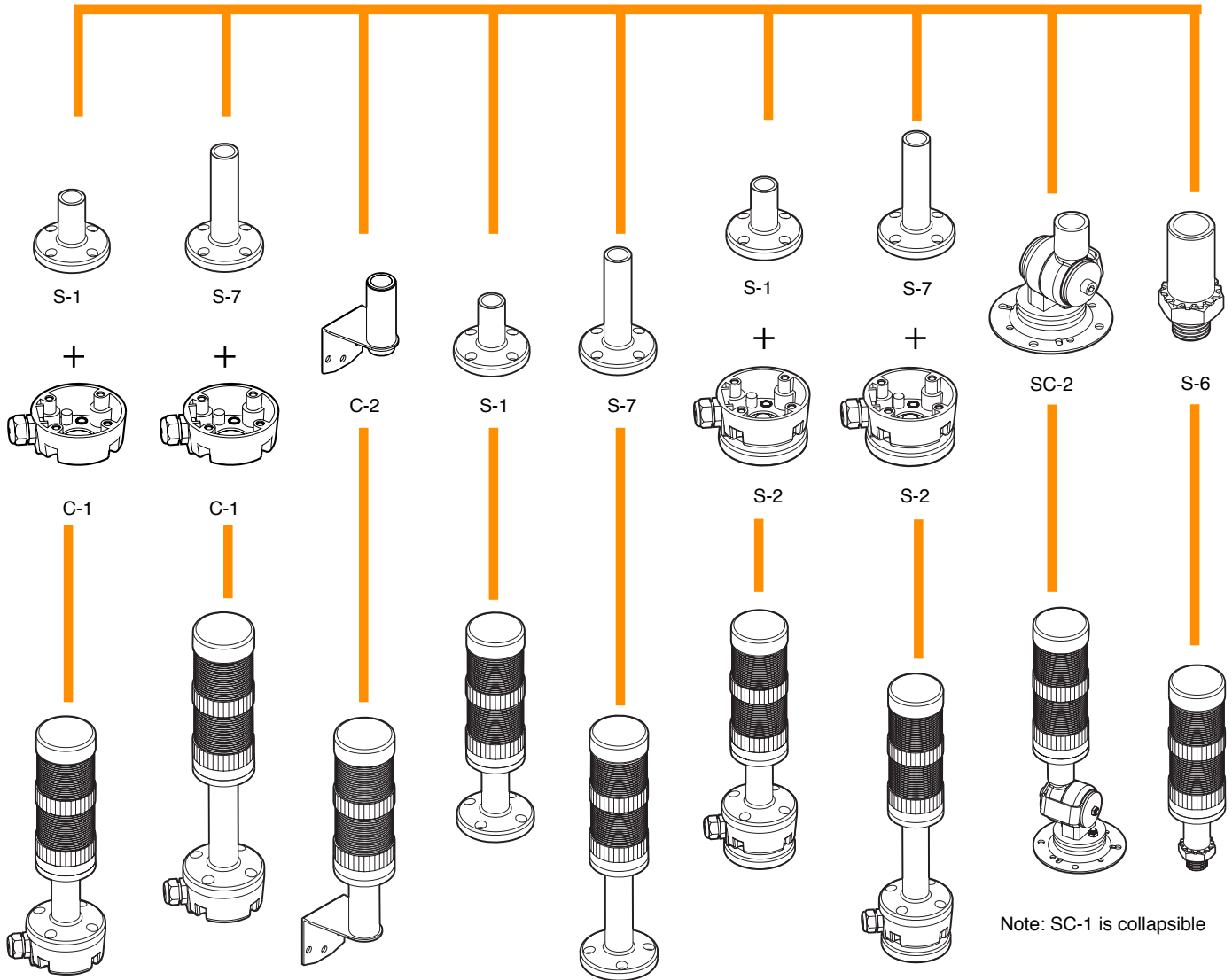
- Cap  
**A02**
- Audible Element  
Black DC24V 80dB Continuous  
**JD502-F0108B024**
- Optical Element  
Green DC24V Filament Lamp Adjustable  
**JD501-X04G024**
- Optical Element  
Yellow DC24V Filament Lamp Adjustable  
**JD501-X04Y024**
- Optical Element  
Blue DC24V Filament Lamp Adjustable  
**JD501-X04S024**
- Connection Base  
**B03**
- Directly Installed Base  
**S-1**



# SKETCH MAP FOR MAKEING UP PRODUCT AND ITS ACCESSORIES



JD50 signal tower



To Install Directly

Note: the bottom of S-2 use permanent magnet material (magnet)

Note: SC-1 is collapsible

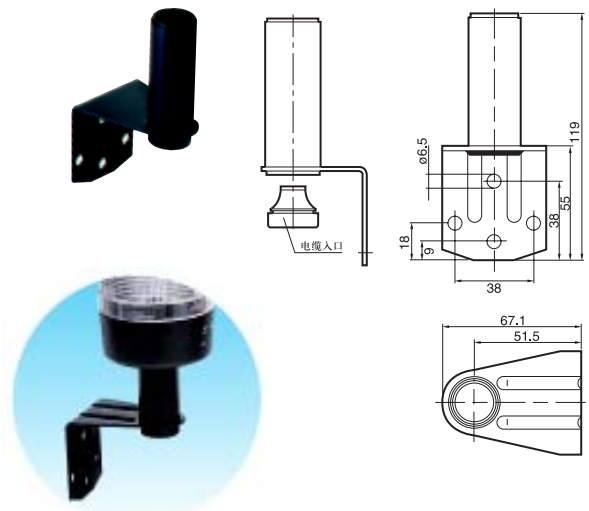
# SKETCH MAP FOR MAKING UP PRODUCT AND ITS ACCESSORIES

## To Install Base (out-line) C-1

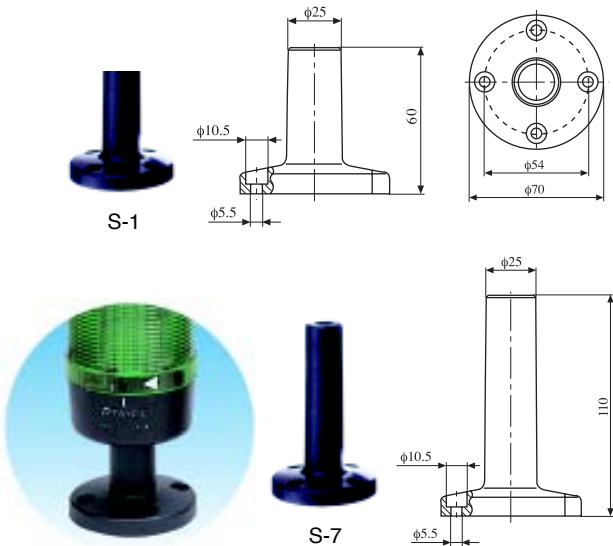
★ It should be used with S-1 or S-7 when installing vertically



## To Sidemount Base (out-line) C-2

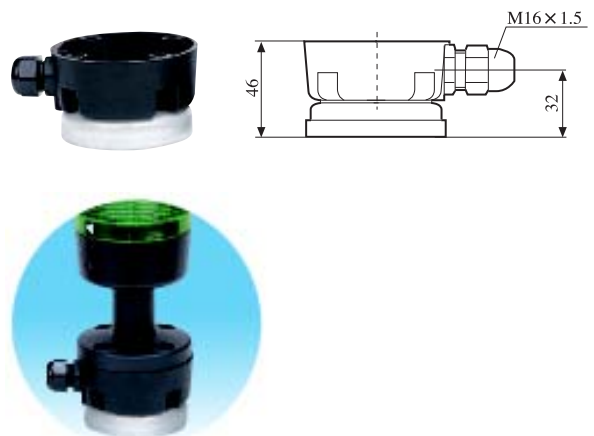


## To Install Base Vertically (out-line) S-1,S-7



## To Install Base Vertically (out-line) S-2

★ It should be used with S-1 or S-7 when vertically mounting  
There is permanent magnet material on the base (magnet steel)(for convenient carriage)

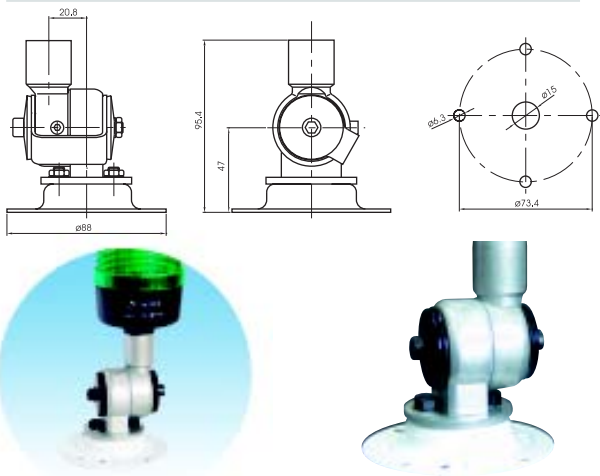


Note:Accessory should be ordered separately.

## SKETCH MAP FOR MAKING UP PRODUCT AND ITS ACCESSORIES

### FULL INSTRUCTION OF INSTALLATION

#### To Install Base Collapsibly (in-line) SC-2



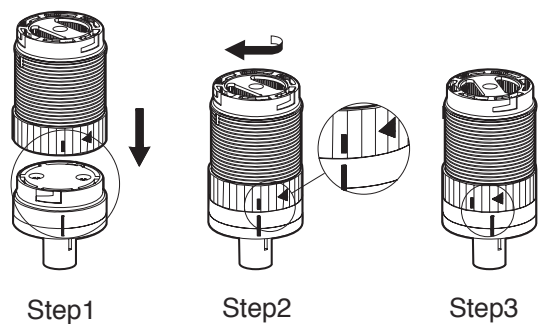
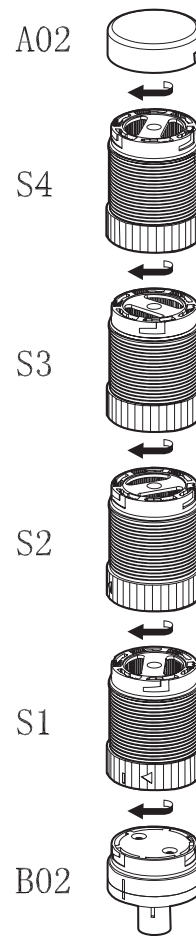
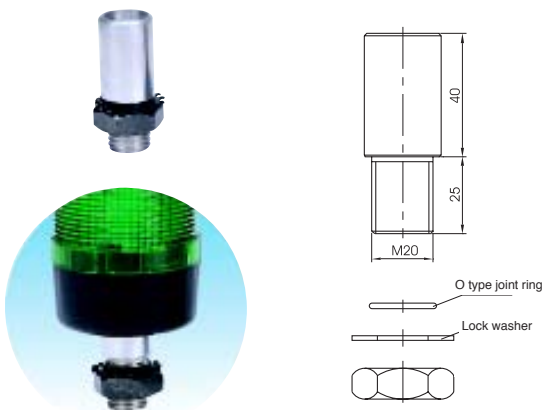
#### Connecting Tube

★ It should be used with S-1 or S-7

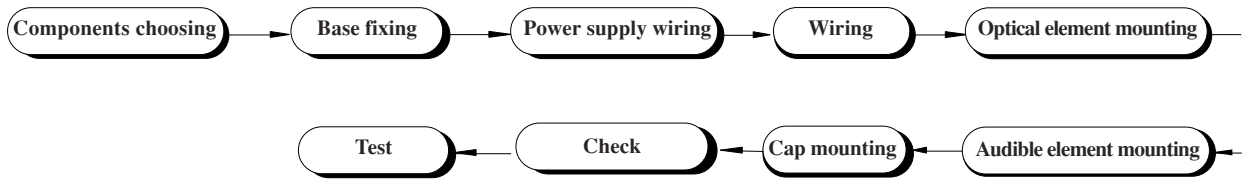
- 100mm G1
- 250mm G2
- 400mm G4
- 800mm G8



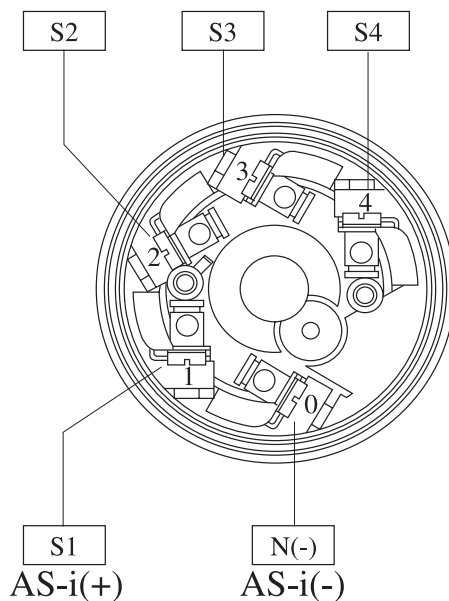
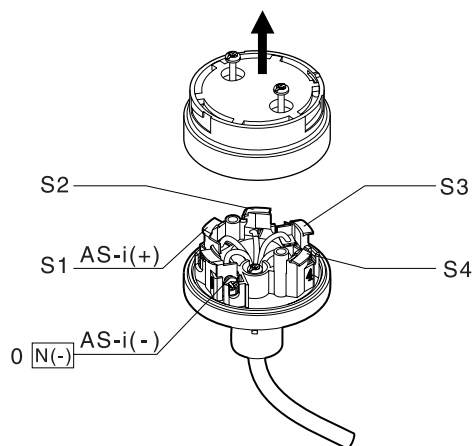
#### To Install the Joint (in-line) S-6



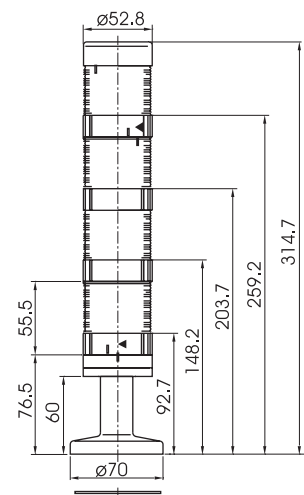
## FULL INSTRUCTION OF INSTALLATION



### Demonstration for Conductivity Base Connection



### DIMENSIONAL DRAWING



#### Matters need attention

Power must be cut off before installation, construction and inspection.

Naked light must not exit in the allocated range of this product.

Temperature must be lower than 55 °C

The cable must reach the safely-using standard.

Installation foundation and installation line must be firm and steady.

The installing, maintaining of this product must be operated by professional personnel.

The product can be installed with different parts by users of their own, but each part must be in the same voltage gradation.

Voltage of the power must accord with the stipulated voltage of the products.

Please wire according to the regulation of the manual when constructing and inspecting.