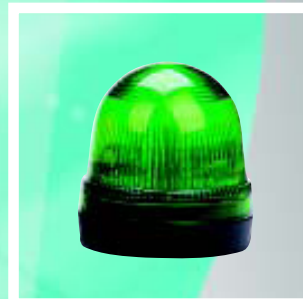
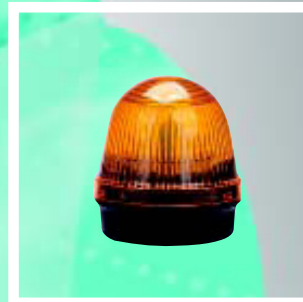




2014-2015

SIGNAL TOWER

JD36,JD50,JD70,
JD90,JD150



TAYEE

<https://www.quisure.com>

SIGNAL LAMP



APPEARANCE

The Europe traditional design style is steady and in good taste, showing originality, endowing your equipment with innervation and vitality, upgrading the appearance and function, making your products coruscate

MATERIAL

The JD-series signal lamps are covered with high-quality materials which has vivid color and good transmissivity and no fading after long time use.

DEGREE OF PROTECTION - IP65

In order to make the products widely used in every walk of life, TAYEE follows its consistent high standard during the process of design and manufacture, which makes every product's degree of protection meet IP65 and satisfy your needs.

INDIVIDUATION OPTION

More and more innovation is required in this competitive age. The JD-series signal lamps supply different kinds of appearance for you, such as JD50A, JD50CA, JD70CA, JD70A, JD90B, JD150A, JD150B which can give you individuation production.

VARIETY

The JD-series signal lamps can be divided into 50mm-JD50, 70mm-JD70, 90mm-JD90, 150mm-JD150 according to diameter and be divided into single light style and optical-audible style according to function.

Ø90 SIGNAL TOWER

TECHNICAL PARAMETER

Guideline of Current

Type	24V	220V
Filament Lamp maximum current	3W	3W
LED maximum current	0.1A/2.4W	0.05A/0.8W
Buzzer maximum current	0.015A/0.36W	0.015A/0.45W
Xenon lamp maximum current	0.2A/4.8W	0.03A/6.6W
Horn maximum current	0.25A/6W	0.25A/3.2W

Working Environment

Environmental Temperature	-25℃ ~ +55℃
Degree of Pollution	Class 3
Antivibration	10-2000Hz, 1mm, 15g
Degree of Protection	IP 65
Inatallation Type	III
Altitude	≤ 2000m
Relative Mositure of Air	≤ 98%

ORDER TYPE

Light element





JD	<u>901</u>	—	Optical source	+	Luminescence modes	+	Color	+	Voltage
	↓		↓		↓		↓		↓
Ø90 diameter			LED		Permanent		Red		DC
Light element			Super Bright LED		Blink		Green		24V
Light element			Filament Lamp		Rotating flash		Yellow		AC
			Xenon lamp		Adjustable		White		220V
							Blue		

Diameter Voice element

JD	<u>902</u>	—	Sonic source	+	Sounding modes	+	Decibel	+	Voltage
	↓		↓		↓		↓		↓
Ø90 diameter			Buzzer		Continue		80dB		DC
Voice element			Horn		Interrupt		100dB		24V
			Music		Adjustable		120dB		AC
			Language						220V

TYPE OF SINGLE LIGHT STYLE SIGNAL LAMP





JD901- order type1+ order type2+ order type3+ order type4

	Optical source		Luminescence modes		Color		Voltage	
	Optical source	Order type1	Modes	Order type2	Color	Order type3	Voltage	Order type4
	LED	L	Permanent Blink Rotating flash Adjustable	01 02 03 04	Red Green Yellow White Blue	R G Y W S	DC 24V	024
	Super Bright LED	H	Permanent Blink Rotating flash Adjustable	01 02 03 04	Red Green Yellow White Blue	R G Y W S	AC 220V	122
	Xenon lamp	S	Blink	02	Red Green Yellow White Blue	R G Y W S	DC 24V AC 220V	024 122
	Filament Lamp	X	Permanent Blink	01 02	Red Green Yellow White Blue	R G Y W S	DC 24V AC 220V	024 122


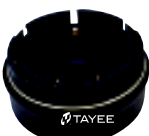
Note:DC is applicable to AC (which means DC and AC are both applicable). Special voltage can be ordered.

PRODUCTION CODE

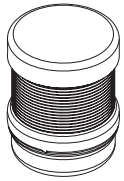
JD902- order type1+ order type2+ order type3+ order type4+ order type5

	Sonic source		Sounding modes		Decibel		Color		Voltage	
	Sound	Order type1	Modes	Order type2	Decibel	Order type3	Color	Order type4	Voltage	Order type5
	Horn	P	Continue	01	120dB	12	Black	B	DC 24V	024
	Buzzer	F	Continue Interrupt Adjust type	01 02 03	80dB 100dB	08 10	Black	B		
	Music	M	Audio mixing Waltzes For Elise The sweet homes	01 04 05 06	100dB	10	Black	B		
	Language	V	Keep Clear - High Voltage Breakdown Upper Limit Be careful crash	01 02 03 04	100dB	10	Black	B		

Note:DC is applicable to AC (which means DC and AC are both applicable). Special voltage can be ordered.

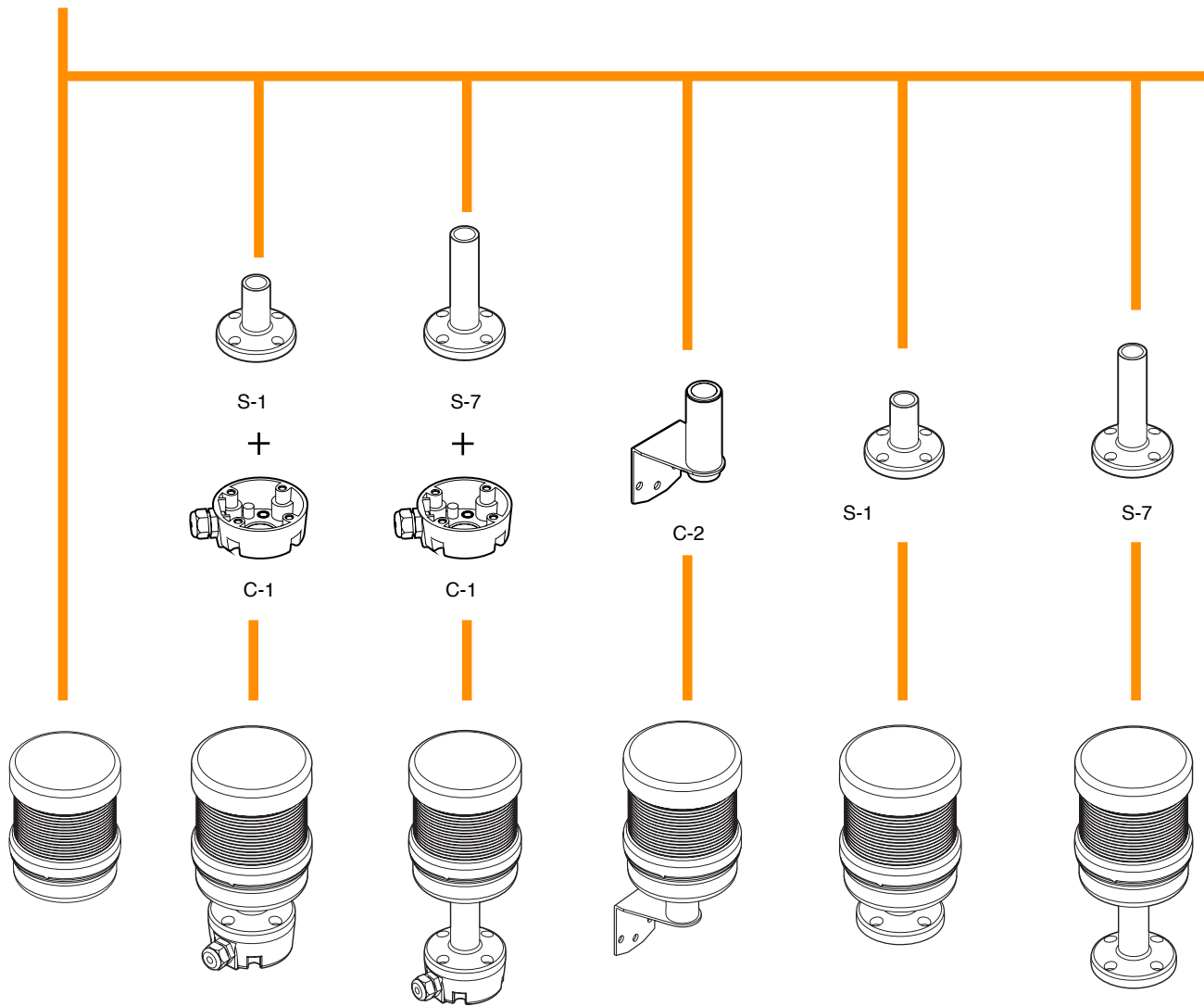
	Name	Type
	Decorate cap	A03
	Connection foundation	B04

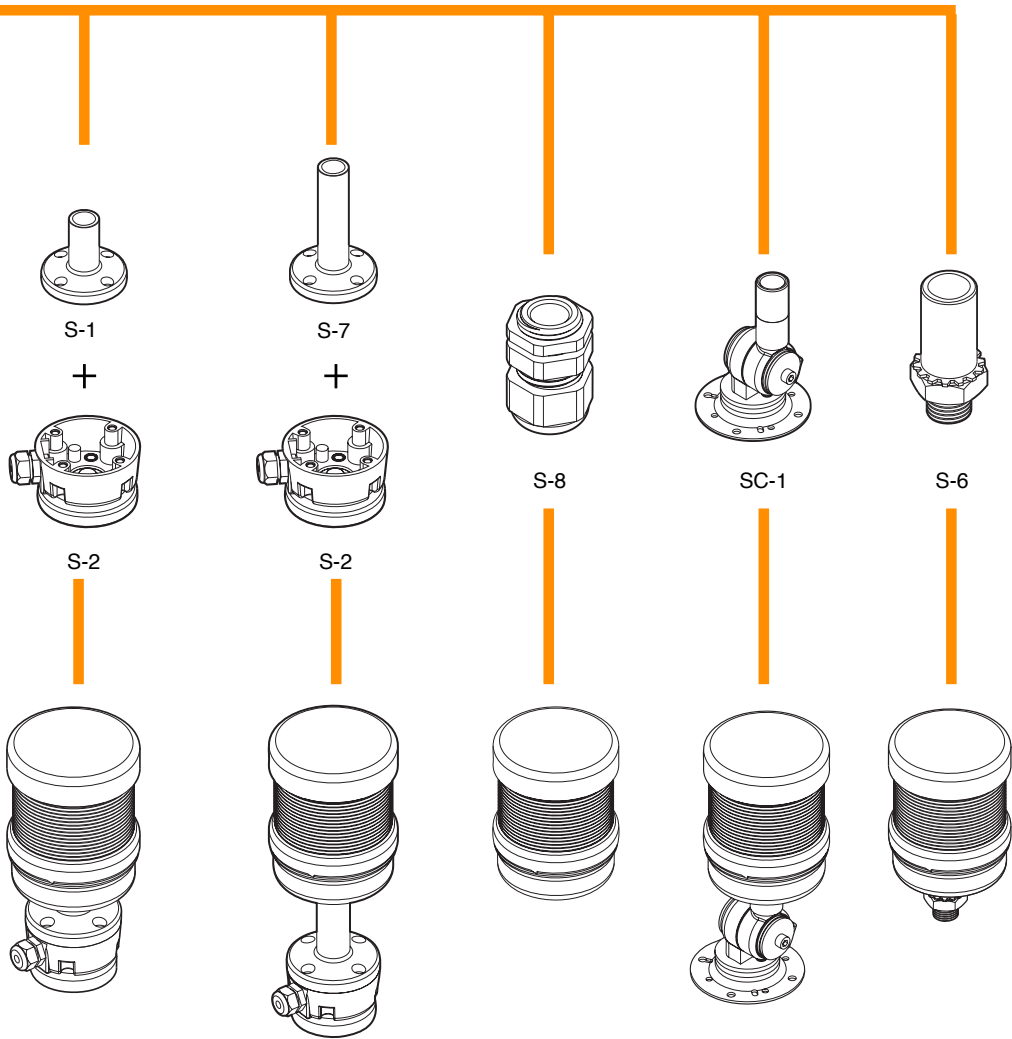
SKETCH MAP FOR MAKING UP PRODUCT AND ITS ACCESSORIES



+

JD90 SIGNAL TOWER





Note: the bottom of S-2 use permanent magnet material (magnet)

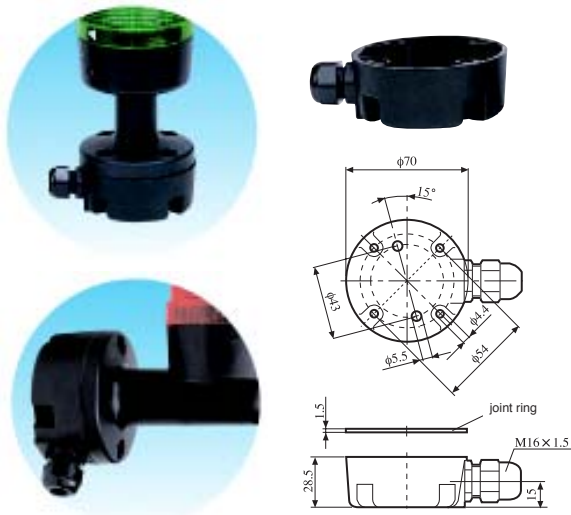
Note: SC-1 is collapsible

TRAYE

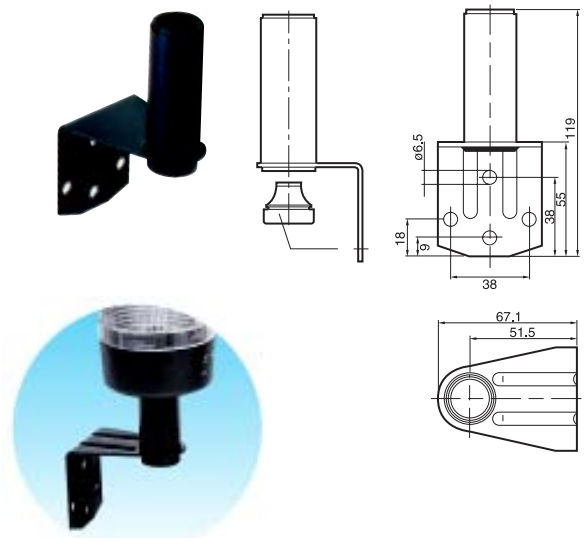
SKETCH MAP FOR MAKING UP PRODUCT AND ITS ACCESSORIES

To Install Base (out-line) C-1

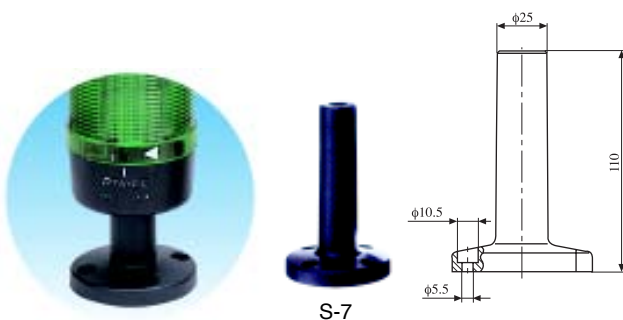
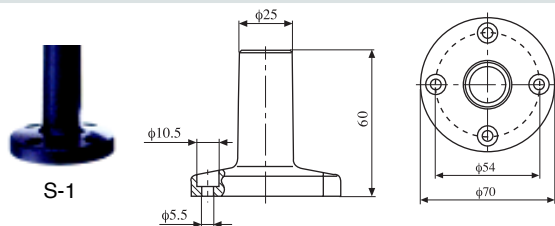
- ★ It should be used with C-3 or C-4 when sidemounting
- ★ It should be used with S-1 or S-7 when installing vertically



To Sidemount Base (out-line) C-2

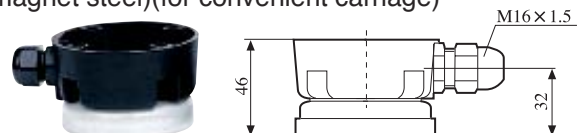


To Install Base Vertically (out-line) S-1,S-7



To Install Base Vertically (out-line) S-2

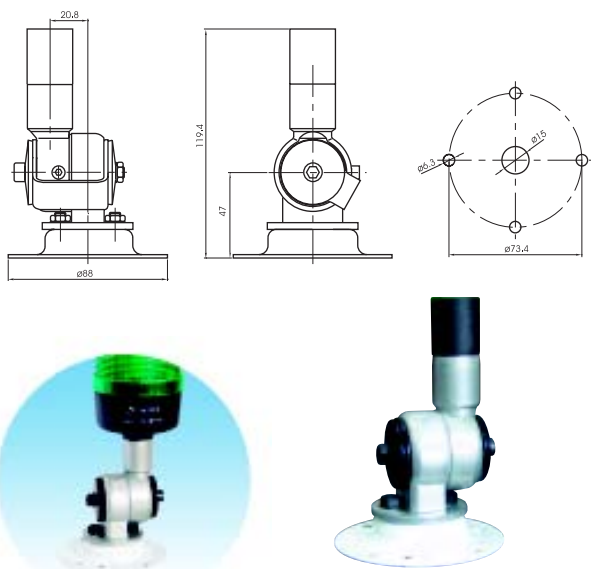
- ★ It should be used with C-3 or C-4 when sidemounting
- ★ It should be used with S-1 or S-7 when vertically mounting
- ★ There is permanent magnet material on the base (magnet steel)(for convenient carriage)



Note:Accessory should be ordered separately.

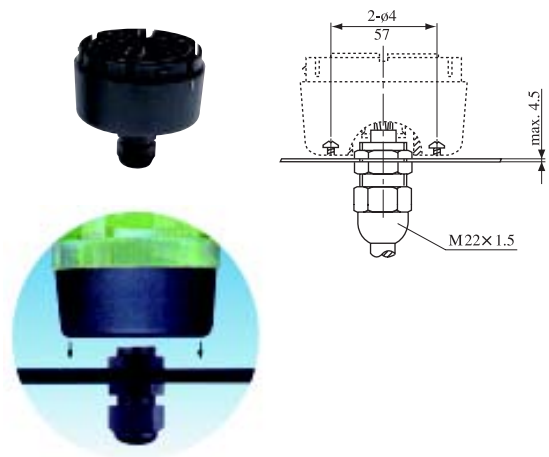
SKETCH MAP FOR MAKING UP PRODUCT AND ITS ACCESSORIES

To Install Base Collapsibly (in-line) SC-1

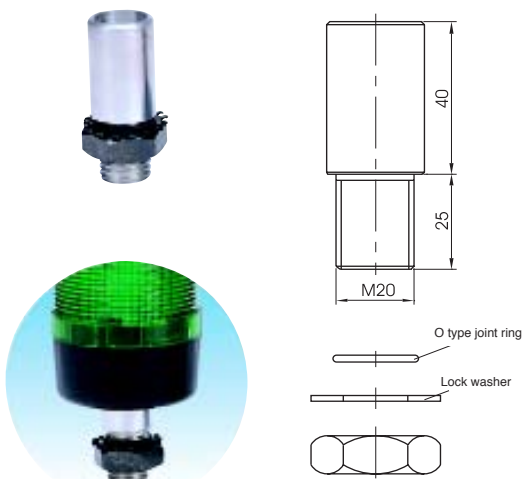


To Install Cable Joint (in-line) S-8

★ Including B04



To Install the Joint (in-line) S-6



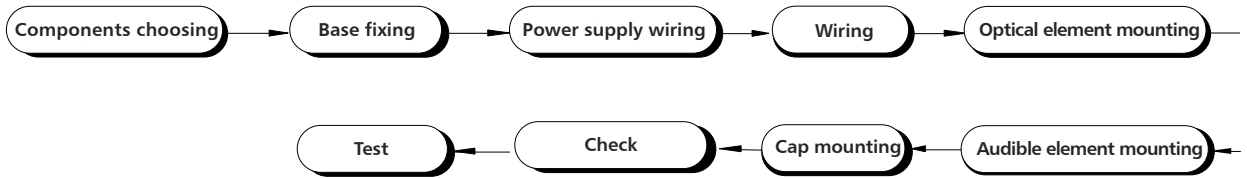
Connecting Tube

★ It should be used with S-1 or S-7

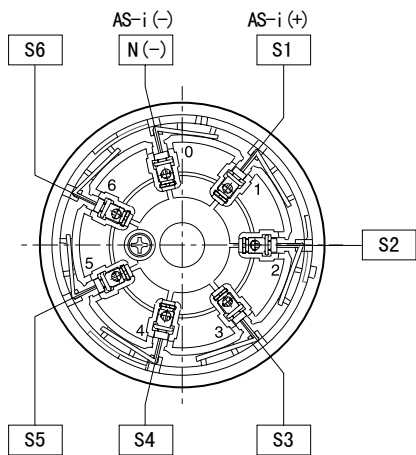
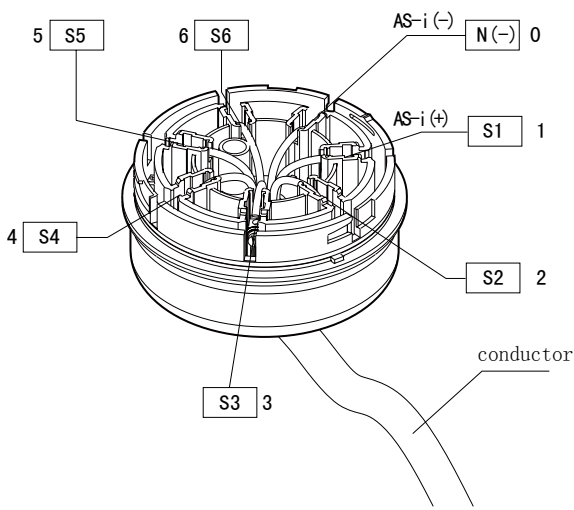


- 100mm G1
- 250mm G2
- 400mm G4
- 800mm G8

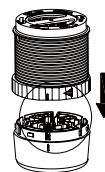
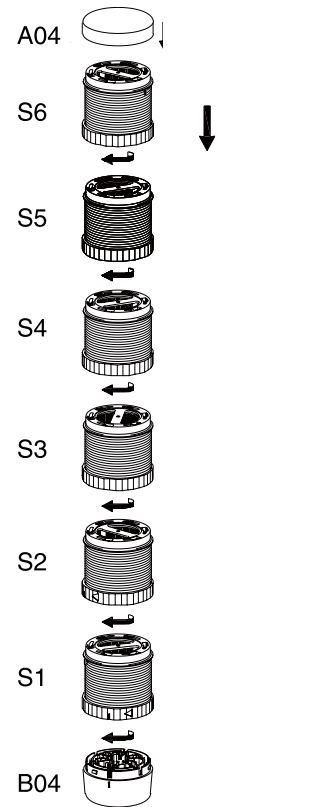
FULL INSTRUCTION OF INSTALLATION



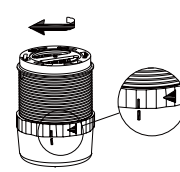
Demonstration for Conductivity Base Connection



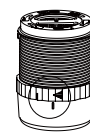
Demonstration for Installation



Step1

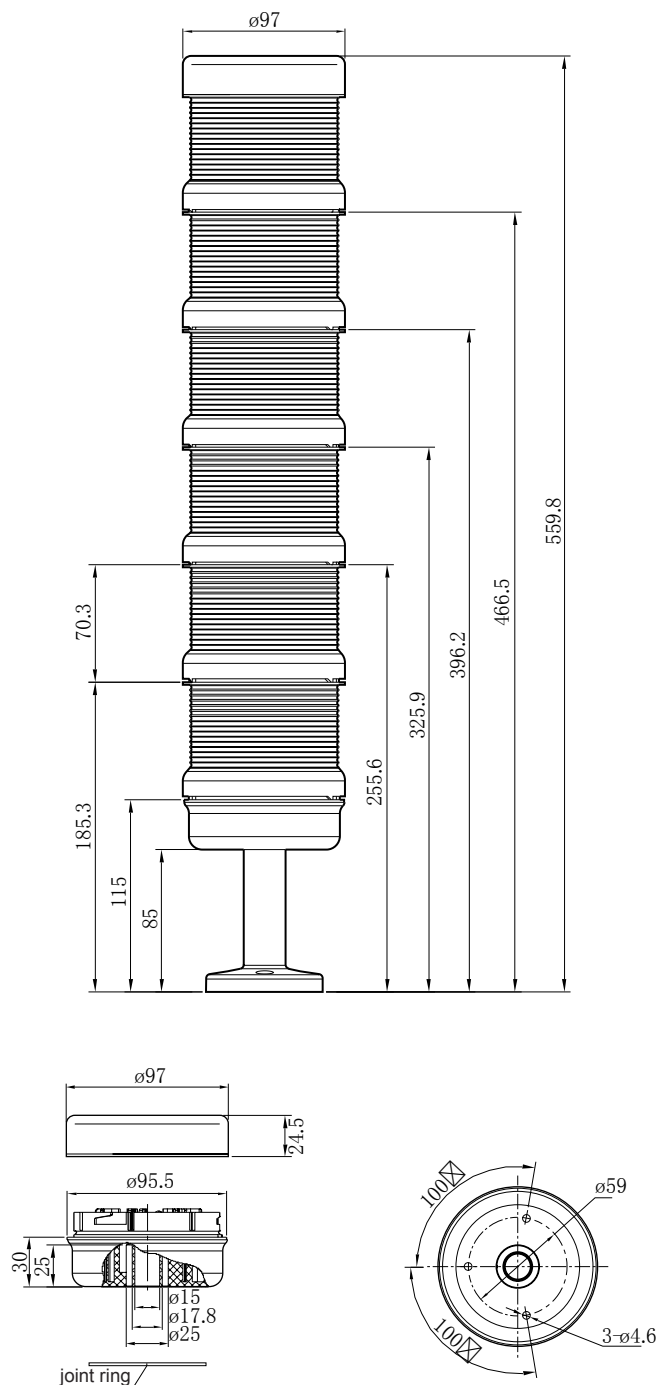


Step2



Step3

DIMENSIONAL DRAWING



Matters need attention

In order to prevent accidents such as fire, electric shock from occurring, users must pay attention on the following precautions:

Power must be cut off before installation, construction and inspection.

Naked light must not exit in the allocated range of this product. Working environmental temperature must be lower than 55c.

The cable must reach the safely-using standard.

Installation foundation and installation line must be firm and steady.

The installing, maintaining of this product must be operated by professional personnel.

The product can be installed with different parts by users of their own, but each part must be in the same voltage gradation.

Voltage of the power must accord with the stipulated voltage of the products. Please wire according to the regulation of the manual when constructing and inspecting.

In order to keep the caution light striking, please pay attention to the following several points:

The outer cover should use the soft cloth to clean frequently, in case the dust hides the light dirtily.

Avoid contacting the chemical solvent as much as possible, in case that the surface is causticized and fluffed, and influence the transmissivity.

Put to earth, in case that static damages the device.

ø90 Signal Lamp

ORDER TYPE

Single-light signal lamp





JD	90C	—	Optical source	+	Luminescence modes	+	Color	+	Voltage
	↓		↓		↓		↓		↓
	Diameter		LED		Permanent		Red		DC
	90mm		Super Bright LED		Blink		Green		24V
	single-light		Filament Lamp		Rotating flash		Yellow		AC
			Xenon lamp		Adjustable		White		220V
							Blue		

Optical-audible style signal lamp

JD	90E	—	Optical source	+	Luminescence modes	+	Sonic source	+	Sounding modes	+	Decibel	+	Color	+	Voltage
	↓		↓		↓		↓		↓		↓		↓		↓
	Diameter		LED		Permanent		Buzzer		Continuous		80dB		Red		DC
	90mm		Super Bright LED		Blink		Horn		Intermittent		100dB		Green		24V
	optical-		Filament Lamp		Rotating flash		Music		Adjustable		120dB		Yellow		AC
	audible style		Xenon lamp		Adjustable		Language						White		220V
													Blue		

PRODUCTION CODE

JD90C- order type1+ order type2+ order type3+ order type4





	Optical source		Luminescence modes		Color		Voltage	
	Optical source	Order type1	Modes	Order type2	Color	Order type3	Voltage	Order type4
	LED	L	Permanent Blink Rotating flash Adjustable	01 02 03 04	Red Green Yellow White Blue	R G Y W S	DC 24V	024
	Super Bright LED	H	Permanent Blink Rotating flash Adjustable	01 02 03 04	Red Green Yellow White Blue	R G Y W S	AC 220V	122
	Xenon lamp	S	Blink	02	Red Green Yellow White Blue	R G Y W S	DC 24V AC 220V	024 122
	Filament Lamp	X	Permanent Blink	01 02	Red Green Yellow White Blue	R G Y W S	DC 24V AC 220V	024 122

Note:DC is applicable to AC (which means DC and AC are both applicable). Special voltage can be ordered.

TAYE

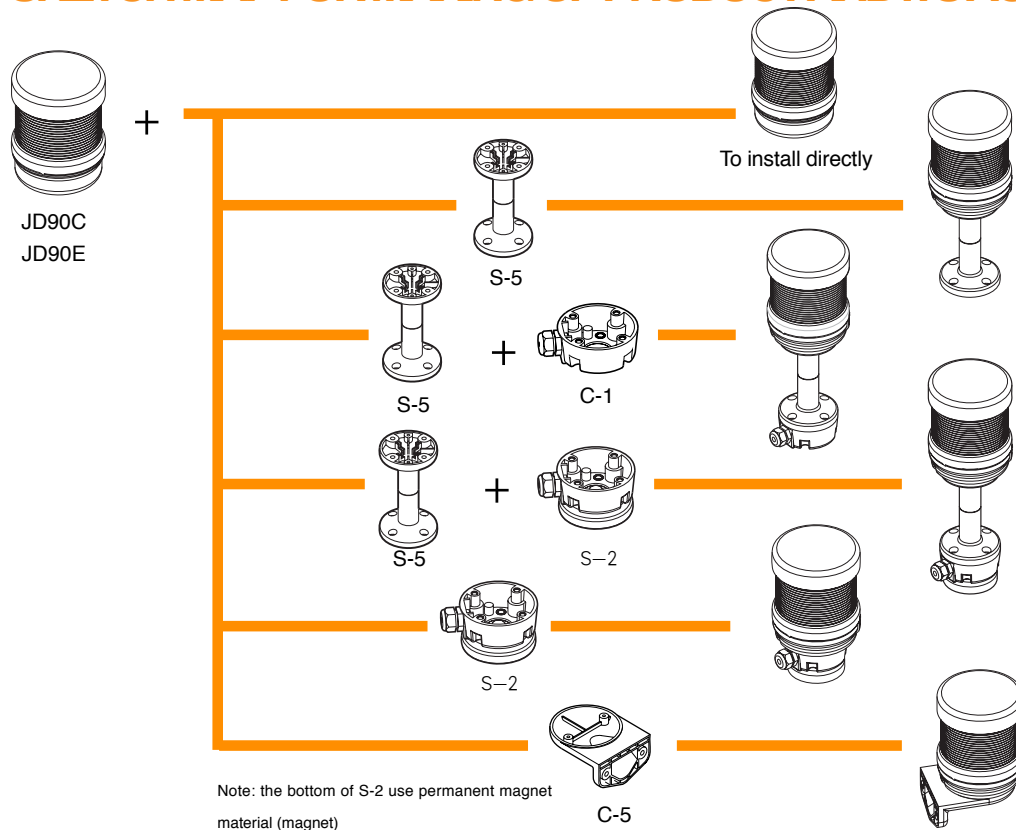
PRODUCTION CODE

JD90E- order type1+ order type2+ order type3+ order type4+ order type5+ order type6+ order type7

	Optical source	Luminescence modes	Sonic source	Sounding Modes	Decibel	Color	Voltage
	order type1	order type2	order type3	order type4	order type5	order type6	order type7
	LED	Permanent 01 Blink 02	Buzzer F	Continuous 01 Intermittent 02 Adjustable 03	80dB 08 100dB 10	Red R Green G Yellow Y White W Blue S	DC 24V 024 AC 220V 122
	Super Bright LED	Rotating flash 03 Adjustable 04	Language	Keep Clear - High Voltage 01 Breakdown 02 Upper Limit 03 Be careful - crash 04	100dB 10		
	Xenon lamp	Blink 02	Horn	Continuous 01			
	Filament Lamp	Permanent 01 Blink 02	Music	Audio mixing 01 Waltzes 04 For Elise 05 The sweet homes 06	100dB 10		

Note:DC is applicable to AC (which means DC and AC are both applicable). Special voltage, language and music can be ordered.
Any optical source can combine with any sonic source.

SKETCH MAP FOR MAKING UP PRODUCT AND ITS ACCESSORIES



INSTALLATION MODE AND INSTALLATION ACCESSORY

To Install the Base Vertically (in-line) S-5

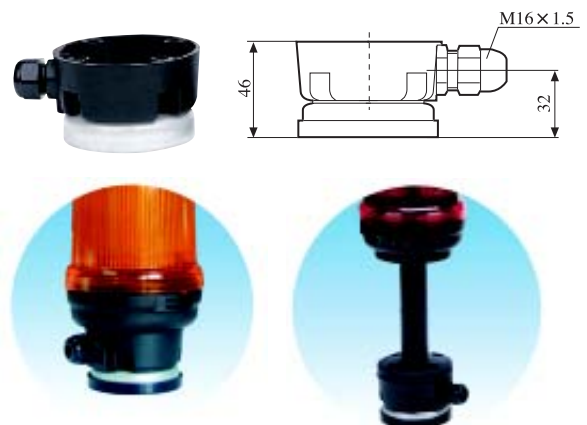


S-5 Can be used with C-1 or S-2

To Install the Base Vertically (out-line) S-2

Permanent-magnet material on the base (magnet steel)
(for convenient carriage)

★ it can be used with S-5.

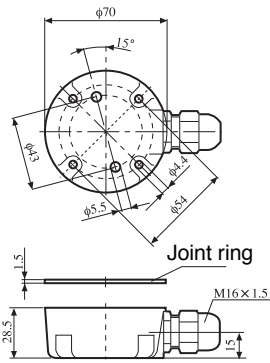


TAYE

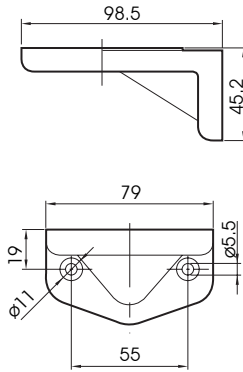
SKETCH MAP FOR MAKING UP PRODUCT AND ITS ACCESSORIES

To Install Base (out-line) C-1

★ It should be used with S-5 when installing vertically

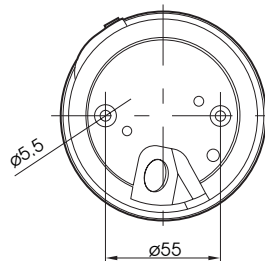


To Sidemount Base (in-line) C-5



DEMONSTRATION OF PRODUCT

To Install Directly (in-line)



Optical-Audible Style Signal Lamp

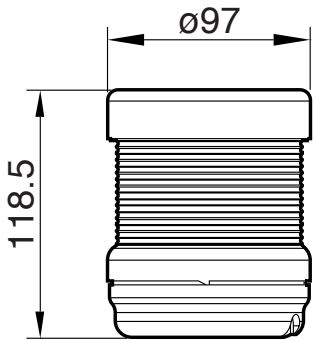


→ Gree LED Blink
80dB Intermittent buzzer AC220V
JD90E-L02F0208G122

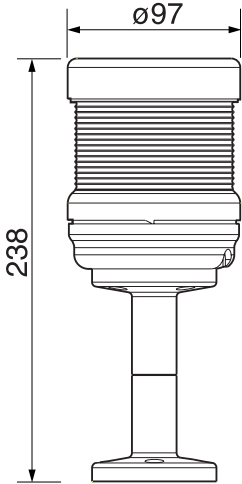
Note:Accessory should be ordered separately.

DIMENSIONAL DRAWING

Dimensions for direct installation



Dimensions for vertical installation (matching S-5)



Dimensions for sidemount (matching C-5)

