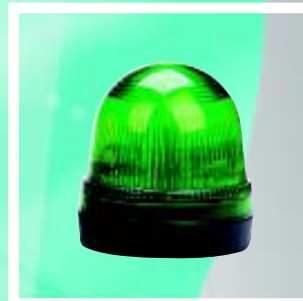
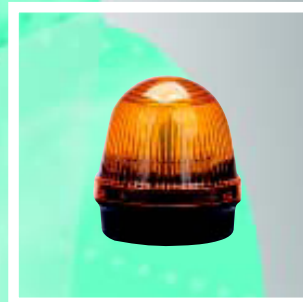




2014-2015

SIGNAL TOWER

JD36,JD50,JD70,
JD90,JD150



TAYEE

<https://www.quisure.com>

SIGNAL LAMP



APPEARANCE

The Europe traditional design style is steady and in good taste, showing originality, endowing your equipment with innervation and vitality, upgrading the appearance and function, making your products coruscate

MATERIAL

The JD-series signal lamps are covered with high-quality materials which has vivid color and good transmissivity and no fading after long time use.

DEGREE OF PROTECTION - IP65

In order to make the products widely used in every walk of life, TAYEE follows its consistent high standard during the process of design and manufacture, which makes every product's degree of protection meet IP65 and satisfy your needs.

INDIVIDUATION OPTION

More and more innovation is required in this competitive age. The JD-series signal lamps supply different kinds of appearance for you, such as JD50A, JD50CA, JD70CA, JD70A, JD90B, JD150A, JD150B which can give you individuation production.

VARIETY

The JD-series signal lamps can be divided into 50mm-JD50, 70mm-JD70, 90mm-JD90, 150mm-JD150 according to diameter and be divided into single light style and optical-audible style according to function.

Ø90 SIGNAL LAMP



PERFORMANCE CHARACTERISTIC

There are 2 choices offered for users - Single light style JD90A and optical-audible style JD90B.

Optical source type

JD90A has offered many kinds of optical source for customers - LED, superbright LED, filament lamp, xenon lamp. Compared with common LED, the superbright LED has a 3-time luminance and its service time was prolonged greatly. It can work for 100,000 hours normally and there is no need for current maintenance. It also has more colors to choose, such as white, pure green and pure blue.

LED

4 types of luminescence modes
permanent
blink
rotating flash
adjustable
(between permanent and blink)



SUPERBRIGHT LED

4 types of luminescence modes
permanent
blink
rotating flash
adjustable
(between permanent and blink)



FILAMENT LAMP

2 types of luminescence modes
permanent
blink



XENON LAMP

only 1 luminescence mode
blink(flash)
flash frequency
0.5Hz-2Hz



TAYE

PERFORMANCE CHARACTERISTIC

AUDIBLE SOURCE TYPE

JD90B-series optical-audible style signal lamps, based on JD90A single-light style, combine audible system and optical system. Owing the JD90A's functions, this series can also combine 4 types of audible source types to meet needs under different circumstances. JD90B audible system is divided into 3 types by decibel:80,100,120.



BUZZER

- 3 sounding modes
- Continuous
- Intermittent
- Adjustable
- (between continuous and intermittent)

HORN

- Only 1 sounding mode
- Continuous
- 120dB

MUSIC

- 4 music modes
- Electronic-mix
- Waltz
- For Alice
- The sweet homes
- *Individualization music can be ordered

LANGUAGE

- 4 language modes
- Keep Clear - High Voltage
- Breakdown
- Upper Limit
- Be careful - crash
- * Individualized language can be ordered

INSTALLATION FORM

There are 4 accessories you can choose ,you can install them on the side or vertically, to the height as you wish.



TECHNICAL PARAMETER

Guideline of Current

Type	24V	220V
Filament Lamp maximum current	3W	3W
LED maximum current	0.1A/2.4W	0.05A/0.8W
Buzzer maximum current	0.015A/0.36W	0.015A/0.45W
Xenon lamp maximum current	0.2A/4.8W	0.03A/6.6W
Horn maximum current	0.25A/6W	0.25A/3.2W

Working Environment

Environmental Temperature	-25°C ~ +55°C
Degree of Pollution	Class 3
Antivibration	10-2000Hz, 1mm, 15g
Degree of Protection	IP 65
Inatallation Type	III
Altitude	≤ 2000m
Relative Mositure of Air	≤ 98%



TAYE

ORDER TYPE

single-light signal lamp

JD	90A	—	Optical source	+ Luminescence modes	+ Color	+	Voltage
	↓		↓	↓	↓		↓
Diameter	90mm		LED	Permanent	Red		DC
single-light			Super Bright LED	Blink	Green		24V
			Filament Lamp	Rotating flash	Yellow		AC
			Xenon lamp	Adjustable	White		220V
					Blue		

Optical-audible style signal lamp

JD	90B	—	Optical source	+ Luminescence modes	+ Sonic source	+ Sounding Modes	+ Decibel	+ Color	+ Voltage
	↓		↓	↓	↓	↓	↓	↓	↓
Diameter	90mm		LED	Permanent	Buzzer	Continuous	80dB	Red	DC
optical-			Super Bright LED	Blink	Horn	Intermittent	100dB	Green	24V
audible style			Filament Lamp	Rotating flash	Music	Adjustable	120dB	Yellow	AC
			Xenon lamp	Adjustable	Language			White	220V
								Blue	



Production type

JD90A- order type1+ order type2+ order type3+ order type4

	Optical source		Luminescence modes		Color		Voltage	
	Sound	Order type1	Modes	Order type2	Color	Order type3	Voltage	Order type4
	LED	L	Permanent Blink Rotating flash Adjustable	01 02 03 04	Red Green Yellow White Blue	R G Y W S	DC 24V	024
	Super Bright LED	H	Permanent Blink Rotating flash Adjustable	01 02 03 04	Red Green Yellow White Blue	R G Y W S	AC 220V	122
	Xenon lamp	S	Blink	02	Red Green Yellow White Blue	R G Y W S	DC 24V AC 220V	024 122
	Filament Lamp	X	Permanent Blink	01 02	Red Green Yellow White Blue	R G Y W S	DC 24V AC 220V	024 122

Note:DC is applicable to AC (which means DC and AC are both applicable). Special voltage can be ordered.

TAWE

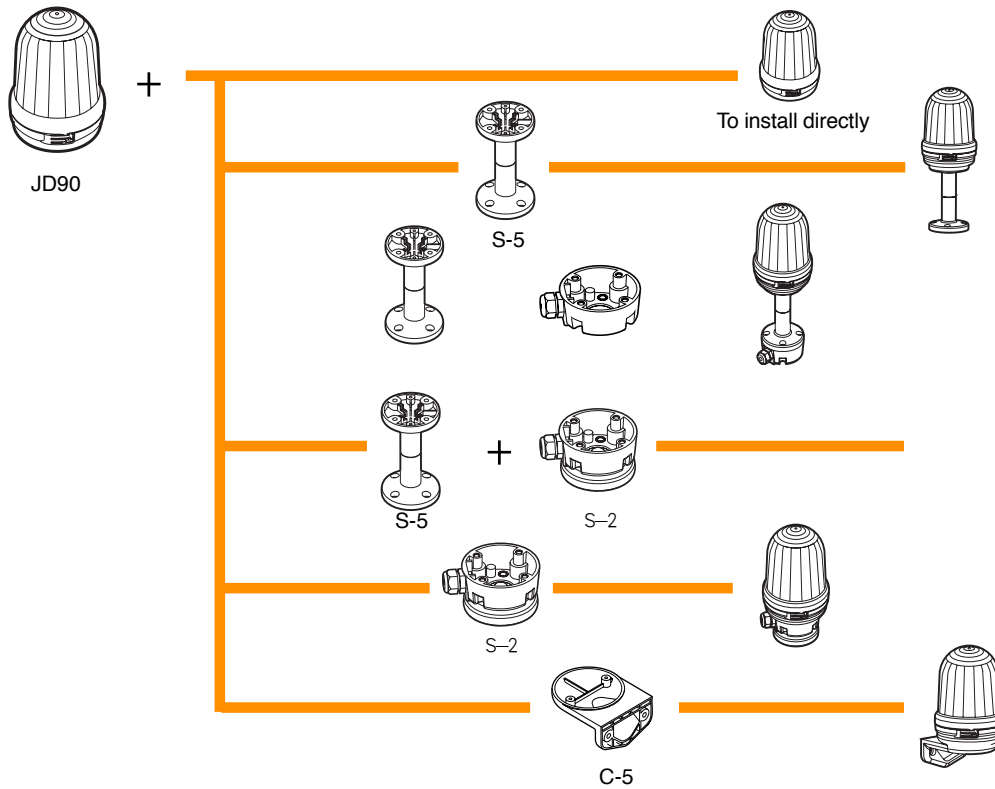
Production type

JD90B- order type1+ order type2+ order type3+ order type4+ order type5+ order type6+ order type7

	Optical source	Luminescence modes	Sonic source	Sounding Modes	Decibel	Color	Voltage
	Sound order type1	modes order type2	Sonic source order type3	modes order type4	Decibel order type5	Color order type6	Voltage order type7
	LED L	Permanent 01 Blink 02	Buzzer F	Continuous 01 Intermittent 02 Adjustable 03	80dB 08 100dB 10	Red R Green G Yellow Y White W Blue S	DC 24V 024 AC 220V 122
	Super Bright LED H	Rotating flash 03 Adjustable 04	Language	Keep Clear - High Voltage 01 Breakdown 02 Upper Limit 03 Be careful - crash 04	100dB 10		
	Xenon lamp S	Blink 02	Horn P	Continuous 01	120dB 12		
	Filament Lamp X	Permanent 01 Blink 02	Music	Audio mixing 01 Waltzes 04 For Elise 05 The sweet homes 06	100dB 10		

Note:DC is applicable to AC (which means DC and AC are both applicable). Special voltage, language and music can be ordered.
 Any optical source can combine with any sonic source.

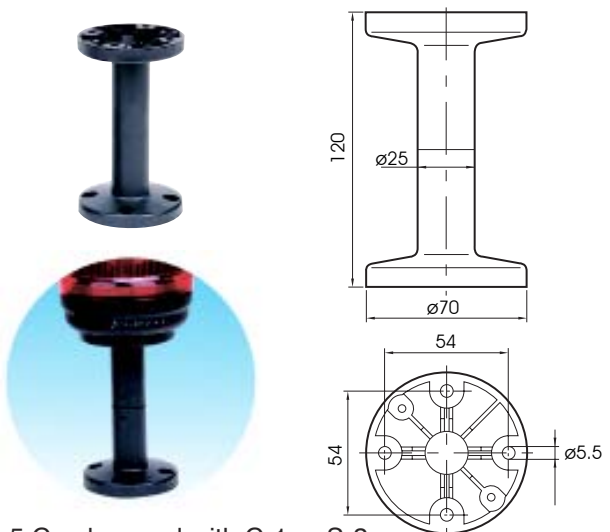
SKETCH MAP FOR MAKING UP PRODUCT AND ITS ACCESSORIES



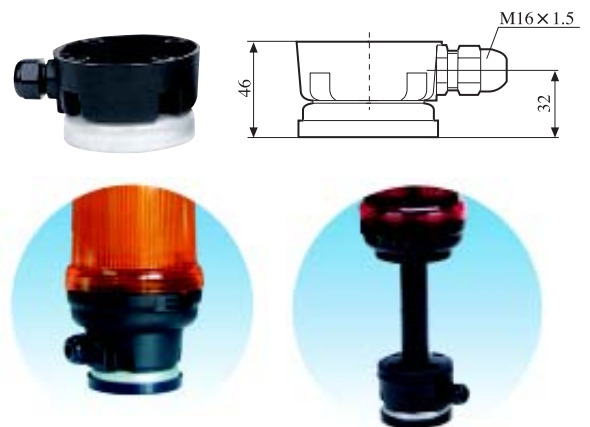
INSTALLATION MODE AND INSTALLATION ACCESSORY

To Install the Base Vertically (in-line) S-5

To Install the Base Vertically (out-line) S-2



S-5 Can be used with C-1 or S-2

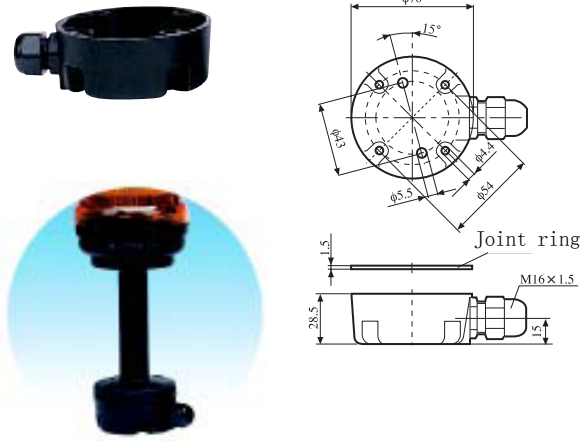


TAYE

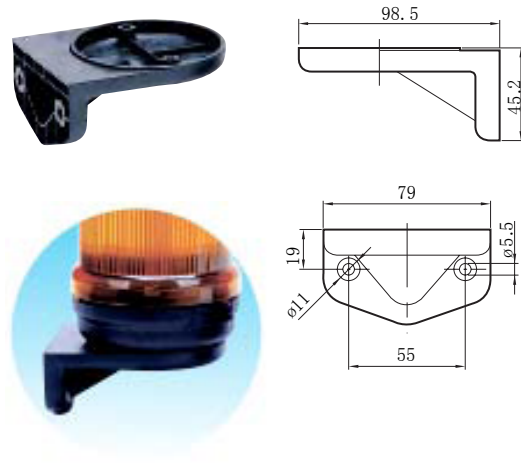
SKETCH MAP FOR MAKING UP PRODUCT AND ITS ACCESSORIES

To Install Base (out-line) C-1

★ It should be used with S-5 when installing vertically

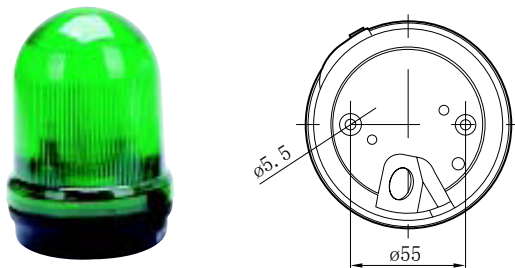


To Sidemount Base (in-line) C-5



DEMONSTRATION OF PRODUCT

To Install Directly (in-line)



Optical-Audible Style Signal Lamp



→ Blue LED Blink
80dB Intermittent buzzer AC220V
JD90B-L02F0208S122

Note:Accessory should be ordered separately.

DEMONSTRATION OF PRODUCT

Single-Light Style



→ Yellow LED Blink DC24V
JD90A-L02Y024

→ To Sidemount the Base
C-5

Optical-Audible Style

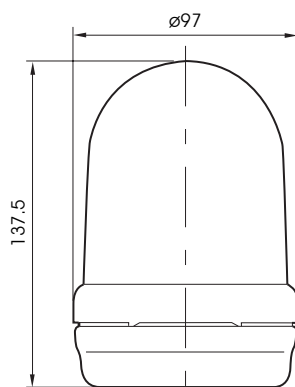


→ Red LED Blink
80dB Intermittent Buzzer DC24V
JD90B-L02F0208R024

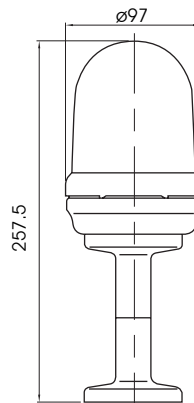
→ To Install the Base Directly
S-5

DIMENSIONAL DRAWING

Dimensions for direct installation



Dimensions for vertical installation (matching S-5)



Dimensions for sidemount (matching C-5)

