

Product Specification

Product name: Molded Case Circuit Breaker (MCCB)

Product Model: NDM3A-630M Series

Date: 20170413

Prepared by	Reviewed by	Approved by
Chen Xinming	Zhang Ying	Cai Yuchang

Document No.	NDT2930304	Version	0	Implementation Date	20170413
--------------	------------	---------	---	---------------------	----------

1. Applicable Scope and Purpose

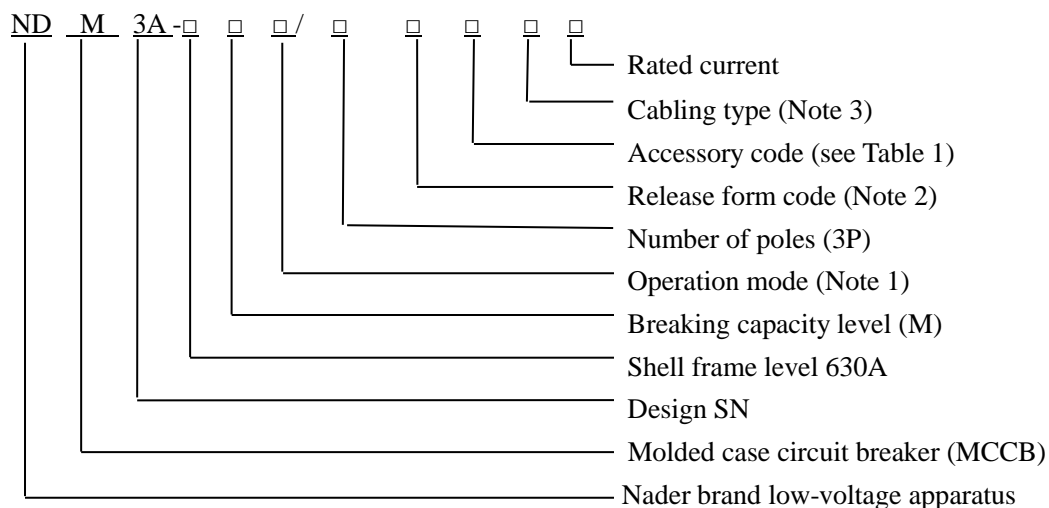
NDM3A series of molded case products apply to infrequent switching of circuits with the AC 50Hz (or 60Hz), the rated working voltage of 1000V and rated working current of 630A. With the overload, short circuit and undervoltage protection functions, the circuit breaker can protect lines and power equipment from damage.

The molded case circuit breaker is widely used in new energy industry, plant, building, household and other occasions.

2. Picture of the Product (The picture is for reference only; the specific kind prevail)



3. Specification and Model Description



Document No.	NDT2930304	Version	0	Implementation Date	20170413
--------------	------------	---------	---	---------------------	----------

Note 1: Handle operation is uncoded; P: Representing the electric operation; Z: Representing the manual operation

Note 2: 0: Release (none); 2: Instantaneous release only; 3: Complex release

Note 3: ① Normal products are uncoded; ② P: Extended connection busbar; ③ Z1: Rear-plate connection; ④ Z2H: Plug-in rear-plate connection; ⑤ Z2Q: Plug-in front-plate connection

Table 1: Comparison Table of Accessory Code:

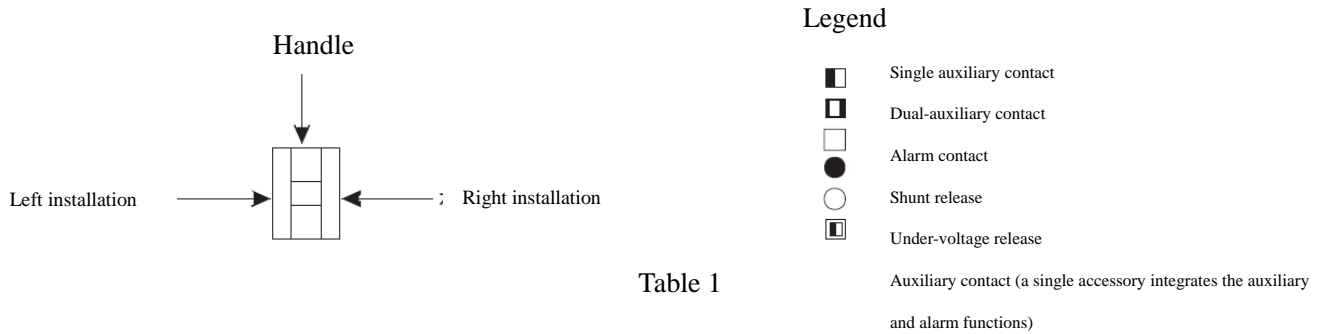


Table 1

Document No.	NDT2930304	Version	0	Implementation Date	20170413
--------------	------------	---------	---	---------------------	----------

Accessory code	Accessory name	Installation position Model Number of poles	NDM3A-250	NDM3A-400	NDM3A-630
			3	3	3
00	None		—	—	—
10	Shunt release				
20	Dual-auxiliary contact				
21	Single auxiliary contact				
30	Under-voltage release				
40	Shunt release, dual-auxiliary contact				
41	Shunt release, single auxiliary contact				
50	Shunt release, under-voltage release				
60	Two sets of dual auxiliary contacts				
61	Two sets of single auxiliary contacts				
62	Dual-auxiliary contact, single auxiliary contact				
70	Under-voltage release, dual-auxiliary contact				
71	Under-voltage release, single auxiliary contact				
08	Alarm contact				
18	Shunt release, alarm contact				
28	Dual-auxiliary contact, alarm contact				
38	Under-voltage release, alarm contact				
48	Shunt release, single auxiliary/alarm contact				
58	Single auxiliary/alarm contact				
68	Dual-auxiliary contact, single auxiliary/alarm contact				
78	Under-voltage release, single auxiliary/alarm contact				

4. Main Technical Parameters

Model	NDM3A-630M				
Rated current of frame I_{nm} (A)	630				
Rated current I_n (A)	400, 500, 630,				
Rated insulation voltage U_i (AC V)	1140				
Rated impulse withstand voltage U_{imp} (V)	8000				
Power frequency withstand voltage U (V)	3500				
Rated working voltage U_e (AC V)	550	600	690	800	1000
Rated limit short-circuit breaking capacity I_{cu} (kA)	50	42	35	30	12

Document No.	NDT2930304	Version	0	Implementation Date	20170413
--------------	------------	---------	---	---------------------	----------

Rated operating short-circuit breaking capacity I _{cs} (kA)		50	42	35	23	12
Operating performance (times)	Electrical life	4000	2500	2000	1500	1000
	Mechanical life	10000				
Boundary dimension		182×270×108.5				

5. Derating Parameter Table of Temperature for the Circuit Breaker

	Derating factor (I _n)						
	+40℃	+45℃	+50℃	+55℃	+60℃	+65℃	+70℃
NDM3A-630M	1	0.979	0.958	0.937	0.915	0.893	0.871

Note: The above derating factors are measured at the frame current

6 High-altitude derating factor

Altitude (km)	Rated operating current	Maximum operating voltage	Rated power frequency withstand voltage
2	I _n	U _e	U
2.5	I _n	U _e	U
3	0.980I _n	0.870U _e	0.909U
3.5	0.972I _n	0.846U _e	0.858U
4	0.963I _n	0.813U _e	0.820U
4.5	0.951I _n	0.781U _e	0.784U
5	0.938I _n	0.743U _e	0.752U

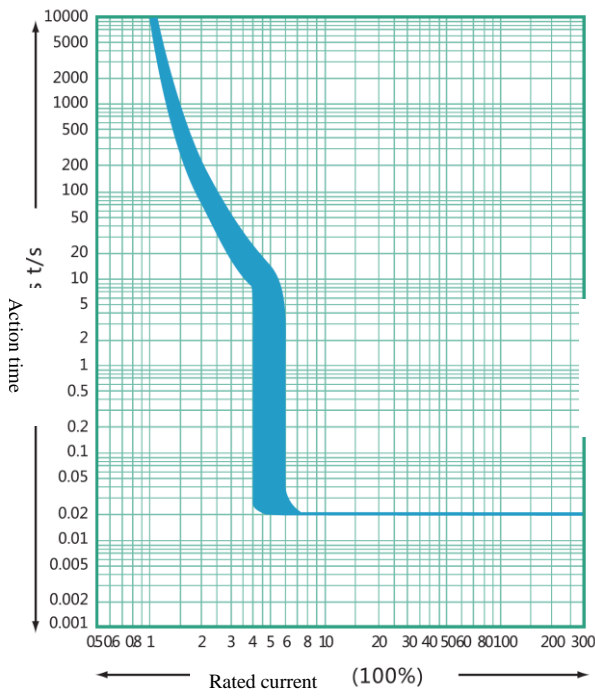
7. Normal Working Environment

- ▲ Altitude: ≤2000m.
- ▲ Ambient temperature: -40℃~+70℃.(Reduced capacity is not considered with the temperature below +40℃)
- ▲ Pollution level: 3.
- ▲ The product can withstand the effects of wet air, salt mist, oil mist and mould.
- ▲ The product should be installed free from snow and rain.
- ▲ The product can be disposed in places that are free from explosive media, media corrosive to metal, insulation damaging gas, and conductive dust.
- ▲ In case of stricter user conditions than the above description, negotiate with the manufacturer.

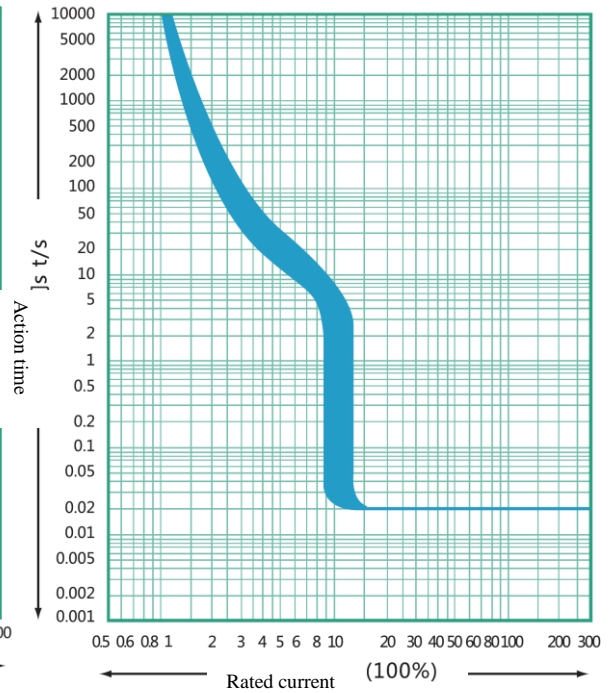
8. Characteristic Curve of Circuit Breaker

Rated current of the release (A)	Thermal release (ambient temperature +40℃)		Action current of the magnetic release (A)	
	1.05I _n (cold state) inaction time (h)	1.3I _n (cold state) action time (h)	5I _n	10I _n (default)
400≤I _n ≤630	≥ 2	< 2	5I _n (1±20%)	10I _n (1±20%)

Document No.	NDT2930304	Version	0	Implementation Date	20170413
--------------	------------	---------	---	---------------------	----------

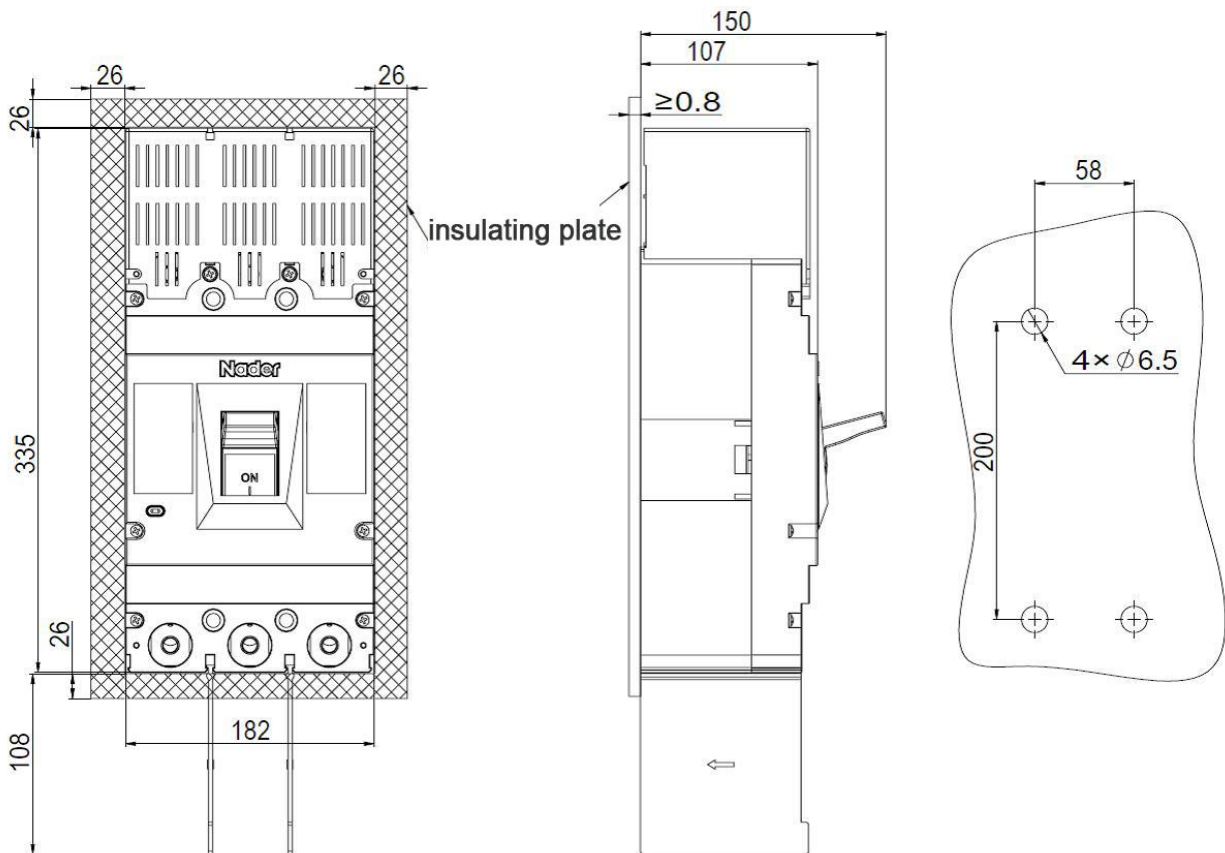


$$I_i = 5 \times I_n$$



$$I_i = 10 \times I_n$$

9. Outline and Mounting Hole Dimensions



Document No.	NDT2930304	Version	0	Implementation Date	20170413
--------------	------------	---------	---	---------------------	----------

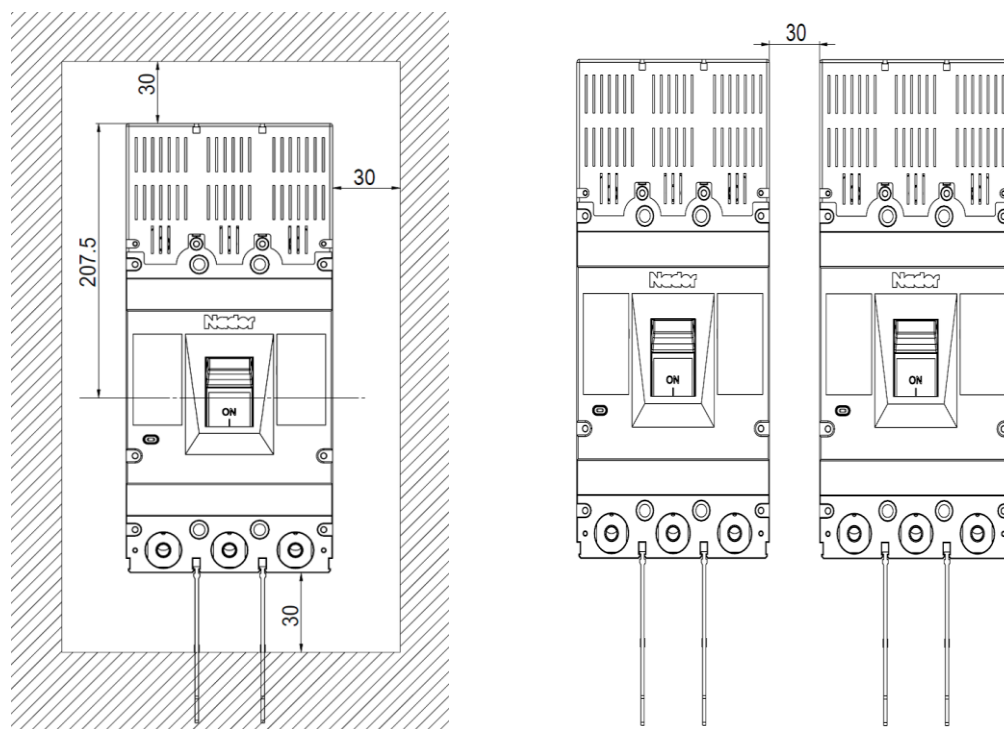
Note 1: The limit deviation not indicated with the tolerance dimensions is as per GB/T 1804-m.

2: During use, a terminal cover and phase partition shall be installed respectively on the terminal side of 1, 3, 5 as well as 2, 4, 6 as shown in the figure. Besides, an insulating plate shall be inserted between the circuit breaker and the metal mounting plate with the hole dimension of the insulating plate same as the mounting plate (to be prepared by users).

10. Installation Mode

Installation mode: The product can be installed horizontally or vertically. For vertical installation of the product, the gradient between the installation surface and the vertical plane is no more than $\pm 22.5^\circ$.

1) Insulation distance mounted in the metal cabinet (mm)



2) Minimum center distance between rowed circuit breakers (mm)

Note: Check the connected busbar or cable during rowing or stacking of the circuit breaker to ensure that the air insulation distance won't be reduced.

11. Packaging and Storage

Minimum packaging quantity: 1 piece/box. The packaged products should be stored in a warehouse with the ambient temperature condition of $-40^\circ\text{C}\sim 75^\circ\text{C}$ and the corresponding relative humidity below 80% to the temperature without acidic, alkali or other corrosive gas in the surrounding air. Under the conditions above, the storage period shall be no more than 36 months since the manufacturing date.

Document No.	NDT2930304	Version	0	Implementation Date	20170413
--------------	------------	---------	---	---------------------	----------

12. List of Accessories and Installation

SN	Name	Specification	Quantity/piece
1	Cross small pan-head combination screws	M6×75	4
2.	Washer	6	4
3	Spring washer	6	4
4	Hexagon nut	M6	4
5	Phase partition	—	2

13. Precautions

▲ Various characteristics and accessories of the circuit breaker are set in the factory, which shall not be adjusted randomly;

▲ The circuit breaker handle can be located in three positions, indicating three states: on, off and free tripping. When the handle is in the free tripping position, pull the handle in the off direction when the circuit breaker is connected and on.

▲ Make sure to add a phase partition for product use.