


# Product Datasheet

Products Name: Residual Current Operated Circuit Breaker

Products Model: NDL6M-100

Date: OCT 19<sup>th</sup>, 2011

Compile	Audit	Approve
Chen Yanru	Dong Min	Li Yuchun

	File name	Product Datasheet	File number	NDT2930029
	Product model and name	NDL6M-100 Series residual current operated circuit-breaker	Version	1
			Implementation date	Oct 19 <sup>th</sup> ,2011

Revision record

Version	Revised contents	Implementation date	Compile
1	1) Change to new format template 2) Changes of dimension tolerance	Oct 19 <sup>th</sup> , 2011	Chen Yanru

File number	NDT2930029	Version	The 1 <sup>st</sup> version	Implement date	Oct 19 <sup>th</sup> ,2011
-------------	------------	---------	-----------------------------	----------------	----------------------------

### 1、Application

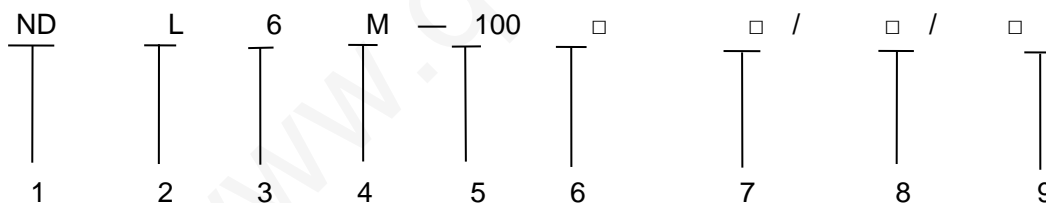
- Electric leakage
- Isolation
- Must be used with upstream circuit breakery

NDL6M-100 Series residual current operated circuit-breaker is applied to low-voltage terminal and distribution field, such as including Industry, Civil Building, Energy, Communication and Infrastructure etc.

### 2、Pictures



### 3、Model and implication:



No.	Implication	NDL6M-100
1	Brand code	ND(Nader)
2	Earth leakage protection	L
3	Design code	6
4	Electromagnetic type	M
5	Frame rating(A)	100
6	Rated current(A)	16,25,40,63,80,100
7	Poles	2P,4P
8	Rated residual operating current	0.03A,0.1A,0.3A

File number	NDT2930029	Version	The 1 <sup>st</sup> version	Implement date	Oct 19 <sup>th</sup> ,2011
9	Residual current operating characteristic	AC,A			

#### 4、 Main technical specification

- .Electric parameter

- Rated working voltage (Ue): AC230/400 V
- Rated current(I<sub>n</sub>): 16A, 25A, 40A, 63A, 80A, 100A
- Rated residual current(I<sub>Δn</sub>): 0.03A, 0.1A, 0.3A
- Rated limited short-circuit current (I<sub>nc</sub>) : 10kA
- Rated making and breaking capacity (I<sub>m</sub>) : 1000A
- Rated residual making and breaking capacity (I<sub>Δm</sub>) : 1000A

- .Isolation function

- Actual breaking instructions

- .Wiring

- Tunnel type terminal
- Connection area:1.5mm<sup>2</sup>~35mm<sup>2</sup>
- Thickness of bus-bar:0.8mm~2mm

#### 5、 Normal working environment

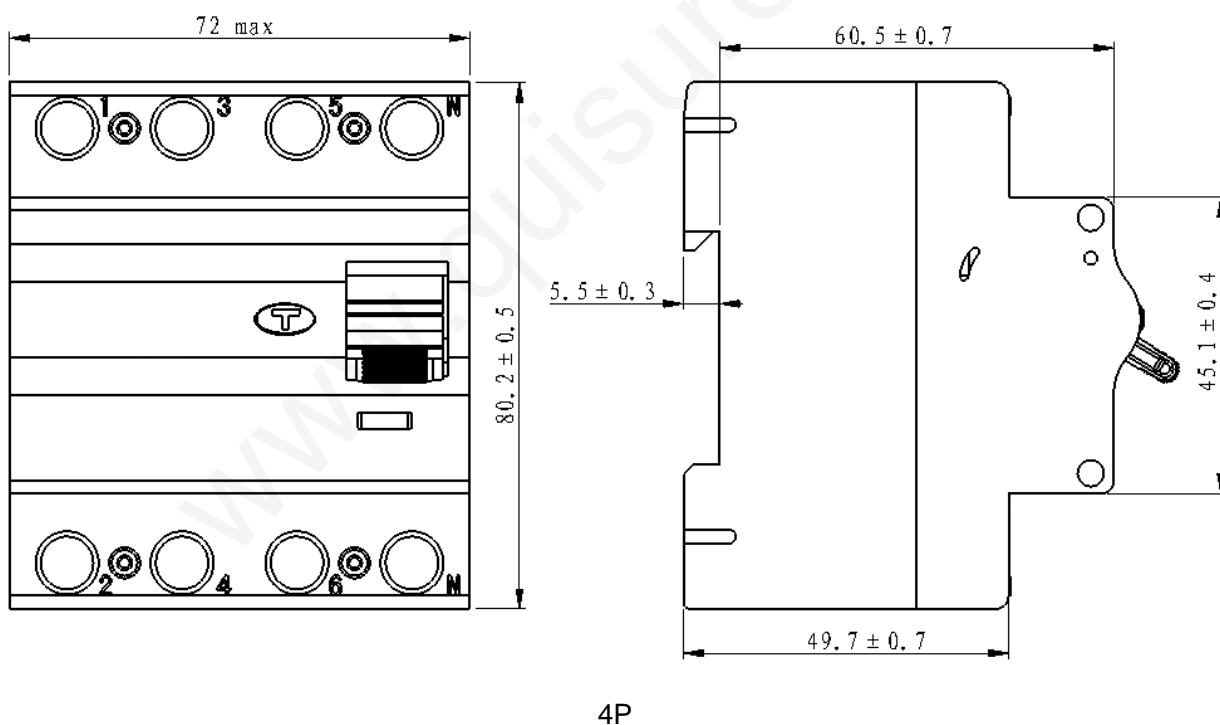
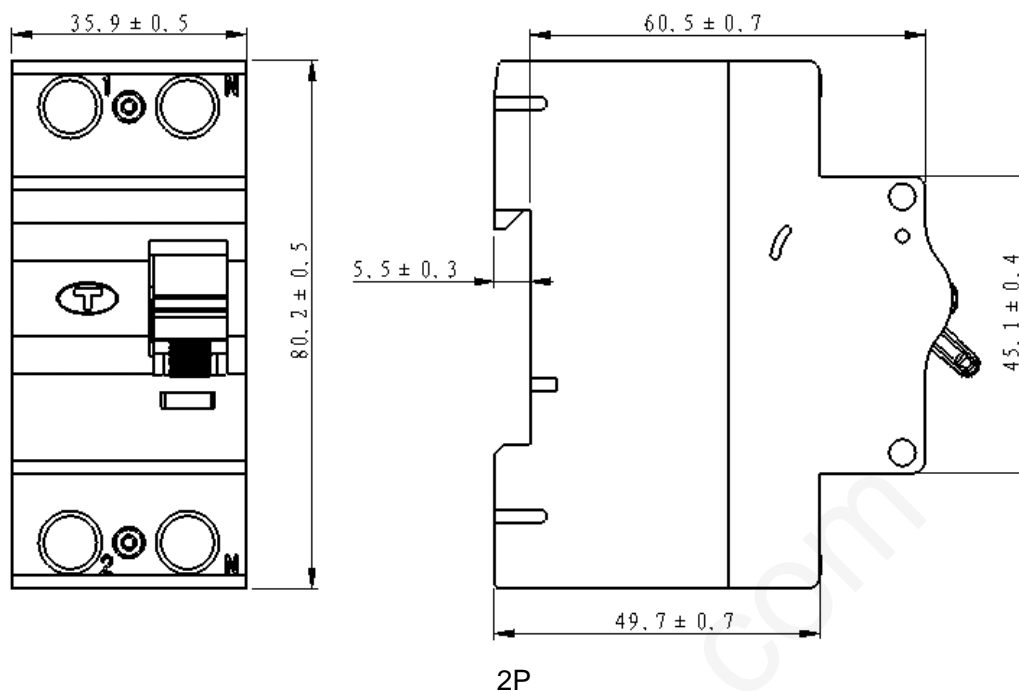
- .Altitude : ≤2000m
- .Ambient temperature:-25℃~+40℃
- .Tolerate the influence of moist air
- .Tolerate the influence of salt mist and oil mist
- .Magnetic requirement: Magnetic field around should be 5 times less than geomagnetic field in any directions
- .Used in the medium without explosion danger and corrosive gas and conductive dust
- .Used in the place without rain and snow

#### 6、 Tripping characteristic

None

#### 7、 Outline and installation dimensions

File number	NDT2930029	Version	The 1 <sup>st</sup> version	Implement date	Oct 19 <sup>th</sup> ,2011
-------------	------------	---------	-----------------------------	----------------	----------------------------



## 8、Installation method

Installed in TH35mm x 7.5 standard guide rail

## 9、Package and storage

For 2P:7 pcs per box. For 4P: 3 pcs per box, and 6 boxes per carton. Packing cartons of products should be stored in the warehouse where the air circulation and relative humidity is not more than

File number	NDT2930029	Version	The 1 <sup>st</sup> version	Implement date	Oct 19 <sup>th</sup> ,2011
-------------	------------	---------	-----------------------------	----------------	----------------------------

80% and the temperature is not higher than + 60°C and not less than - 50°C. Also the warehouse's any direction's magnetic field should be 5 times less than geomagnetic field and without acidic, alkaline and other corrosive gas. Under the above conditions, the storage period since the production date is not more than three years.

#### 10、Accessories list and installation

None

#### 11、Notice

- No responsibility for problems occurred by disassembly privately;
- Please make sure reliable connection to avoid fault tripping or damage of terminals caused by exceptional heat;
- Don't use hand to touch the exposed non-insulated part when the circuit breaker is powered.
- No responsibility for problems occurred by debugging the circuit breaker's characteristic optionally.
- Simulating test should be made once a month by pressing the test button to check whether the circuit breaker works normally. If RCBO is abnormal, it should be replaced.

Attached sheet1

Record chart of specifications sampling

Version of specification	Product model	Bar code	Sampling date	Sampling place	Sampling person
0	NDL6M-100/25/2P/0.03/A	100R/0.025AJA1 11-06-01	Oct 13 <sup>th</sup> , 2011	Finished products warehouse of Nader	Hu Xueting
	NDL6M-100/25/2P/0.03/A	100R/0.025AJA1 11-06-01			
	NDL6M-100/25/2P/0.03/A	100R/0.025AJA1 11-06-01			
	NDL6M-100/40/4P/0.03/A	100R/0.03AJA5 11-06-01			
	NDL6M-100/40/4P/0.3/A	100R/0.3AJD9 11-05-02			

File number	NDT2930029	Version	The 1 <sup>st</sup> version	Implement date	Oct 19 <sup>th</sup> ,2011
-------------	------------	---------	-----------------------------	----------------	----------------------------

	NDL6M-100/40/4P/0. 3/A	100R/0. 3AJD9 11-05-02			
1					
.....					

Storage life for 3 years

Record's serial number: LX4.203R-14A